

DA CONVERTER DA 824 SERVICE MANUAL



■ CONTENTS

| | |
|-----------------------------|----|
| SPECIFICATIONS | 3 |
| PANEL LAYOUT | 4 |
| CIRCUIT BOARD LAYOUT | 5 |
| DIMENSIONS | 6 |
| BLOCK DIAGRAM | 7 |
| DISASSEMBLY PROCEDURE | 8 |
| LSI PIN DESCRIPTION | 11 |
| IC BLOCK DIAGRAM | 13 |
| CIRCUIT BOARDS | 15 |
| INSPECTIONS | 27 |
| TEST PROGRAM | 29 |
| FRASH ROM UPGRADE | 32 |
| PARTS LIST | |
| OVERALL CIRCUIT DIAGRAM | |

This document is printed on chlorine free (ECF) paper with soy ink.

IMPORTANT NOTICE

This manual has been provided for the use of authorized Yamaha Retailers and their service personnel. It has been assumed that basic service procedures inherent to the industry, and more specifically Yamaha Products, are already known and understood by the users, and have therefore not been restated.

WARNING: Failure to follow appropriate service and safety procedures when servicing this product may result in personal injury, destruction of expensive components and failure of the product to perform as specified. For these reasons, we advise all Yamaha product owners that all service required should be performed by an authorized Yamaha Retailer or the appointed service representative.

IMPORTANT: This presentation or sale of this manual to any individual or firm does not constitute authorization, certification, recognition of any applicable technical capabilities, or establish a principal-agent relationship of any form.

The data provided is believed to be accurate and applicable to the unit(s) indicated on the cover. The research engineering, and service departments of Yamaha are continually striving to improve Yamaha products. Modifications are, therefore, inevitable and changes in specification are subject to change without notice or obligation to retrofit. Should any discrepancy appear to exist, please contact the distributor's Service Division.

WARNING: Static discharges can destroy expensive components. Discharge any static electricity your body may have accumulated by grounding yourself to the ground bus in the unit (heavy gauge black wires connect to this bus).

IMPORTANT: Turn the unit OFF during disassembly and parts replacement. Recheck all work before you apply power to the unit.

WARNING: CHEMICAL CONTENT NOTICE!

The solder used in the production of this product contains LEAD. In addition, other electrical/electronic and/or plastic (where applicable) components may also contain traces of chemicals found by the California Health and Welfare Agency (and possibly other entities) to cause cancer and/or birth defects or other reproductive harm.

DO NOT PLACE SOLDER, ELECTRICAL/ELECTRONIC OR PLASTIC COMPONENTS IN YOUR MOUTH FOR ANY REASON WHAT SO EVER!

Avoid prolonged, unprotected contact between solder and your skin! When soldering, do not inhale solder fumes or expose eyes to solder/flux vapor!

If you come in contact with solder or components located inside the enclosure of this product, wash your hands before handling food.

IMPORTANT NOTICE FOR THE UNITED KINGDOM

Connecting the Plug and Cord

IMPORTANT. The wires in this main lead are coloured in accordance with the following code:

BLUE: NEUTRAL
BROWN: LIVE


As the colours of the wires in the main lead of this apparatus may not correspond with the coloured markings identifying the terminals in your plug, proceed as follows:

The BLUE wire must be connected to the terminal that is marked with the letter N (or coloured BLACK).

The BROWN wire must be connected to the terminal that is marked with the letter L (or coloured RED).

Be certain that neither core is connected to the earth terminal of the three pin plug.

■ WARNING

Components having special characteristics are marked  and must be replaced with parts having specification equal to those originally installed.

SPECIFICATIONS

| | | |
|--------------------------------|---|------------------------|
| Sampling rate | MY8-AE, MY8-TD | 39.69–50.88 kHz |
| | MY8-AT | 41.013–50.88 kHz |
| DA conversion resolution | 24-bit linear, 128-times oversampling | |
| Frequency response | –3, +1 dB, 20 Hz–20 kHz | |
| Dynamic Range *1 | 110 dB (typical) | |
| Gain Error | ±1 dB @ 1 kHz | |
| THD *2 | 0.05%, 20 Hz–20 kHz | |
| | 0.01% full scale output @ 1 kHz | |
| Hum & Noise Level *1 | –92 dB (typical) | |
| Crosstalk | –70 dB between adjacent channels @ 1 kHz | |
| Signal Delay | 0.57 ms (digital input to analog output, fs = 48 kHz) | |
| Indicators | PEAK | 3 dB below full scale |
| | NOMINAL | 14 dB below full scale |
| | SIGNAL | 34 dB below full scale |
| | LOCK | Wordclock lock |
| | POWER | Power on/off |
| Power requirements | U.S.A. & Canada 120 V AC, 60 Hz Europe 230 V AC, 50 Hz | |
| Power consumption | 40 W | |
| Dimensions (W x H x D) | 480 x 97.5 x 366.8 mm (18.9 x 3.84 x 14.44 inches) | |
| Weight | 7.5 kg (16.53 lbs) | |
| Free-air operating temperature | 10° C to 35° C (50° F to 95° F) | |
| Storage temperature | –20° C to 60° C (–4° F to 140° F) | |
| Power cord length | 1.9 m | |
| Supplied Accessories | Owner's Manual | |

*1. Measured with a 6 dB/octave filter at 12.7 kHz; equivalent to a 20 kHz filter with infinite dB/octave attenuation.

*2. 6 dB/octave filter @ 80 kHz.

* Where dB represents a specific voltage, 0 dB is referenced to 0.775 V rms, 0 dBV is referenced to 1.00 V rms.

Analog Output

| Connection | GAIN SW | Actual Source Impedance | For Use with Nominal | Output Level | | Connector |
|---------------|---------|-------------------------|----------------------|----------------------|---------------------|--|
| | | | | Nominal | Max. before clip | |
| OUTPUT 1–8 *1 | +24 dB | 150 Ω lines | 600 Ω lines | +10 dB (2.45 V) | +24 dB (12.28 V) | XLR-3-32 type (balanced)*2 & TRS phone jack (balanced)*3 |
| | +18 dB | | | +4 dB (1.23 V) | +18 dB (6.16 V) | |
| | +15 dB | | | +1 dB (0.87 V) | +15 dB (4.36 V) | |
| | +4 dBV | | | –10 dBV (0.316 V) | +4 dBV (1.58 V) | |

*1. 24-bit 128-times oversampling D/A converters.

*2. XLR-type connectors are electronically balanced (pin 1= ground, pin 2= hot, pin 3= cold).

*3. TRS phone jacks are electronically balanced (tip= hot, ring= cold, sleeve= ground).

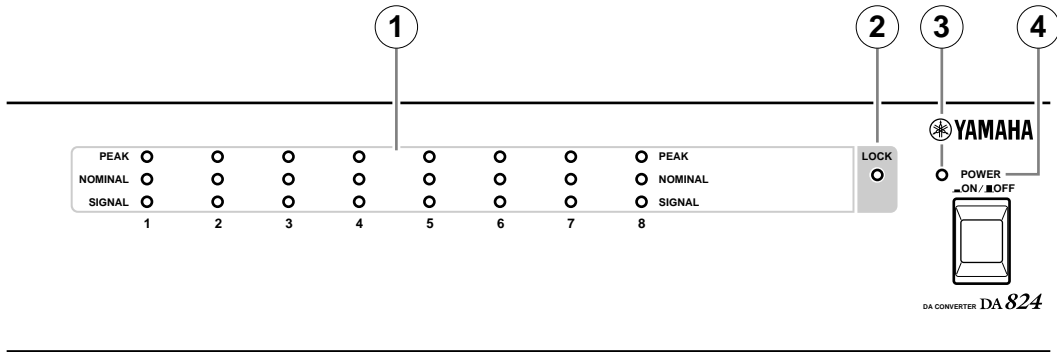
* Where dB represents a specific voltage, 0 dB is referenced to 0.775 V rms, 0 dBV is referenced to 1.00 V rms.

Digital I/O

| Connection | Format | Level/Impedance | Connector |
|-----------------|------------|--------------------|--------------------|
| COM | — | RS232C | 9-pin D-sub (male) |
| WORD CLOCK IN | — | TTL, 75 Ω (ON/OFF) | BNC |
| WORD CLOCK THRU | — | TTL, 75 Ω | BNC |
| SLOT | mini YGDAL | — | — |

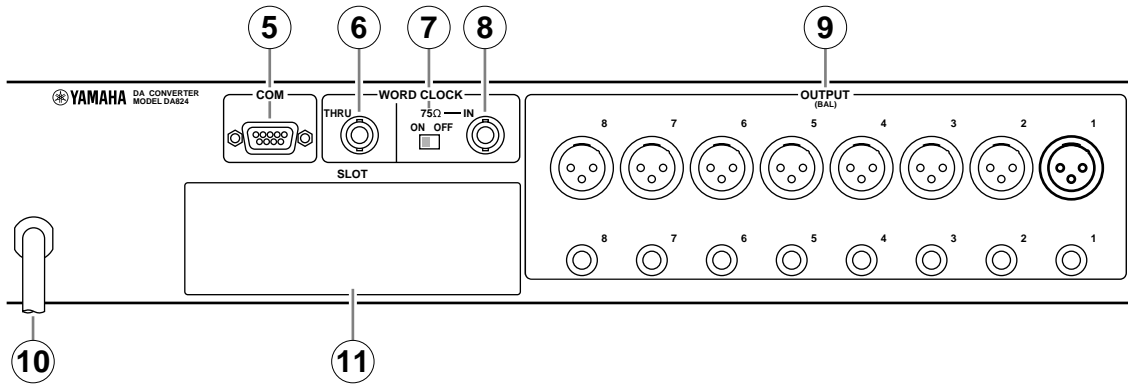
■ PANEL LAYOUT

● Front Panel



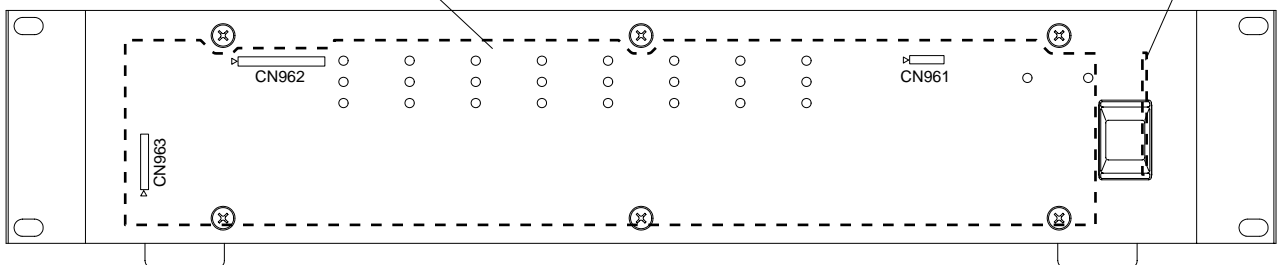
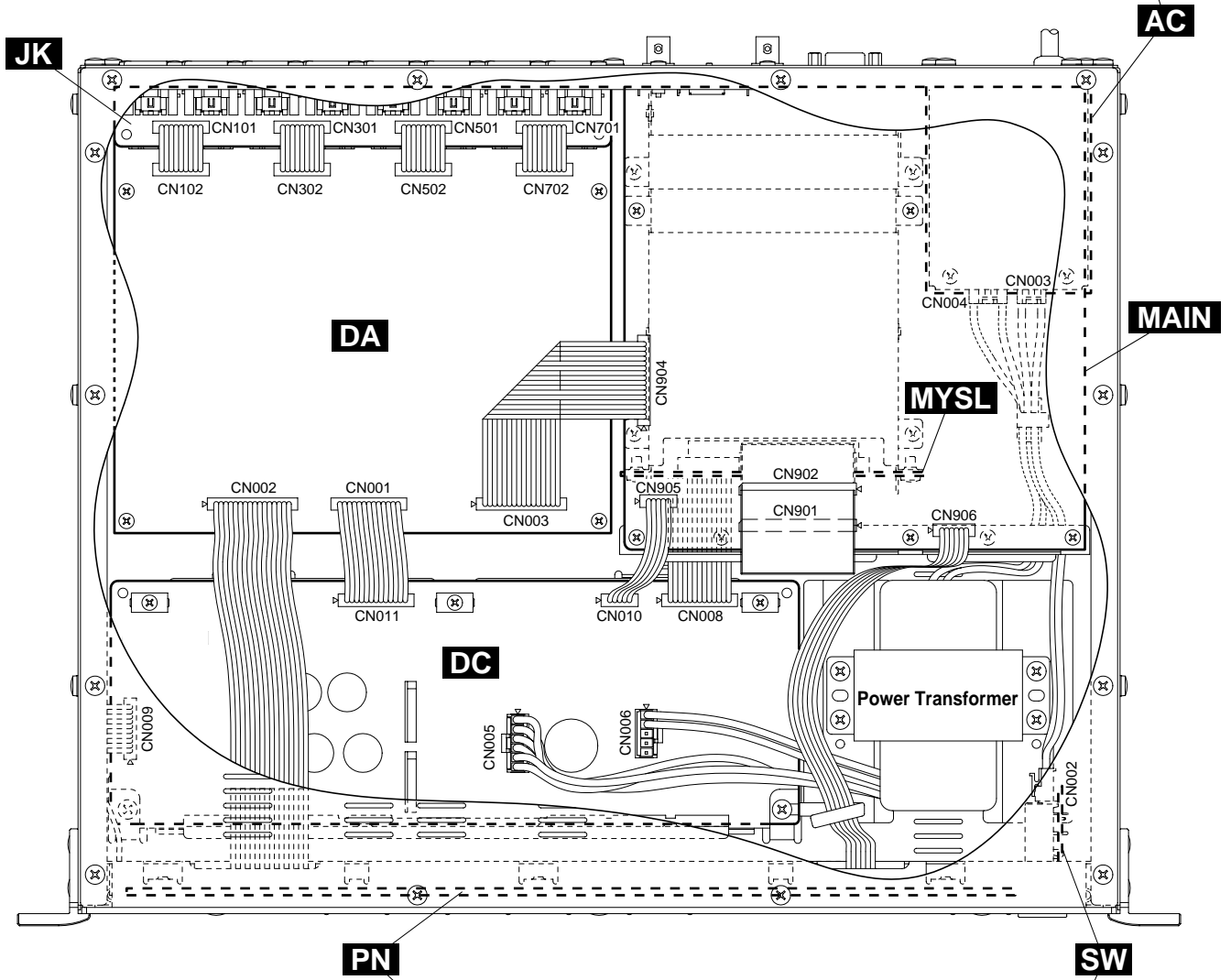
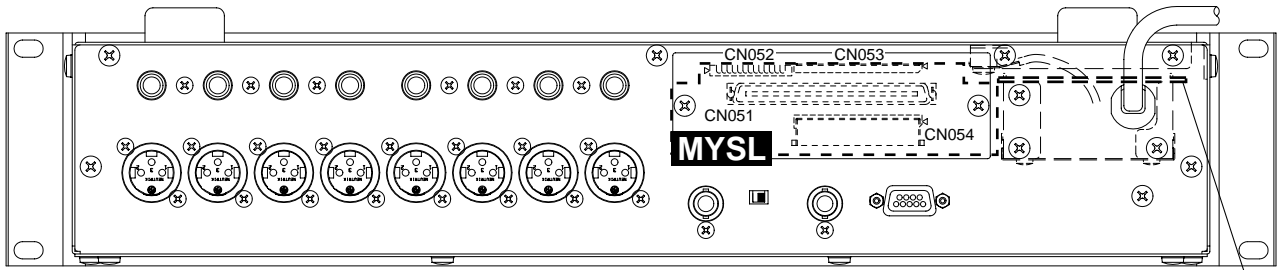
- ① PEAK, NOMINAL & SIGNAL indicators
- ② LOCK indicator
- ③ POWER indicator
- ④ POWER switch

● Rear Panel

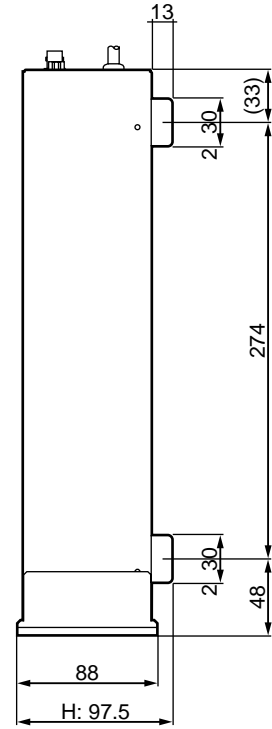
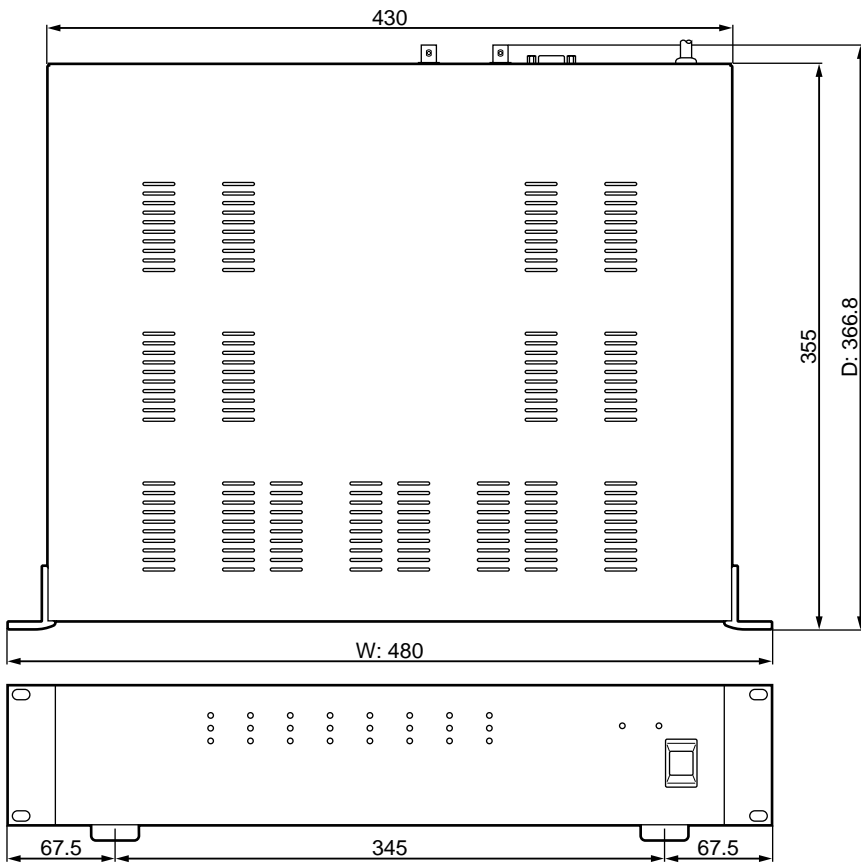


- ⑤ COM port
- ⑥ WORD CLOCK THRU connector
- ⑦ WORD CLOCK 75 Ω ON/OFF switch
- ⑧ WORD CLOCK IN connector
- ⑨ OUTPUT (BAL) connectors
- ⑩ Power cable
- ⑪ SLOT

CIRCUIT BOARD LAYOUT

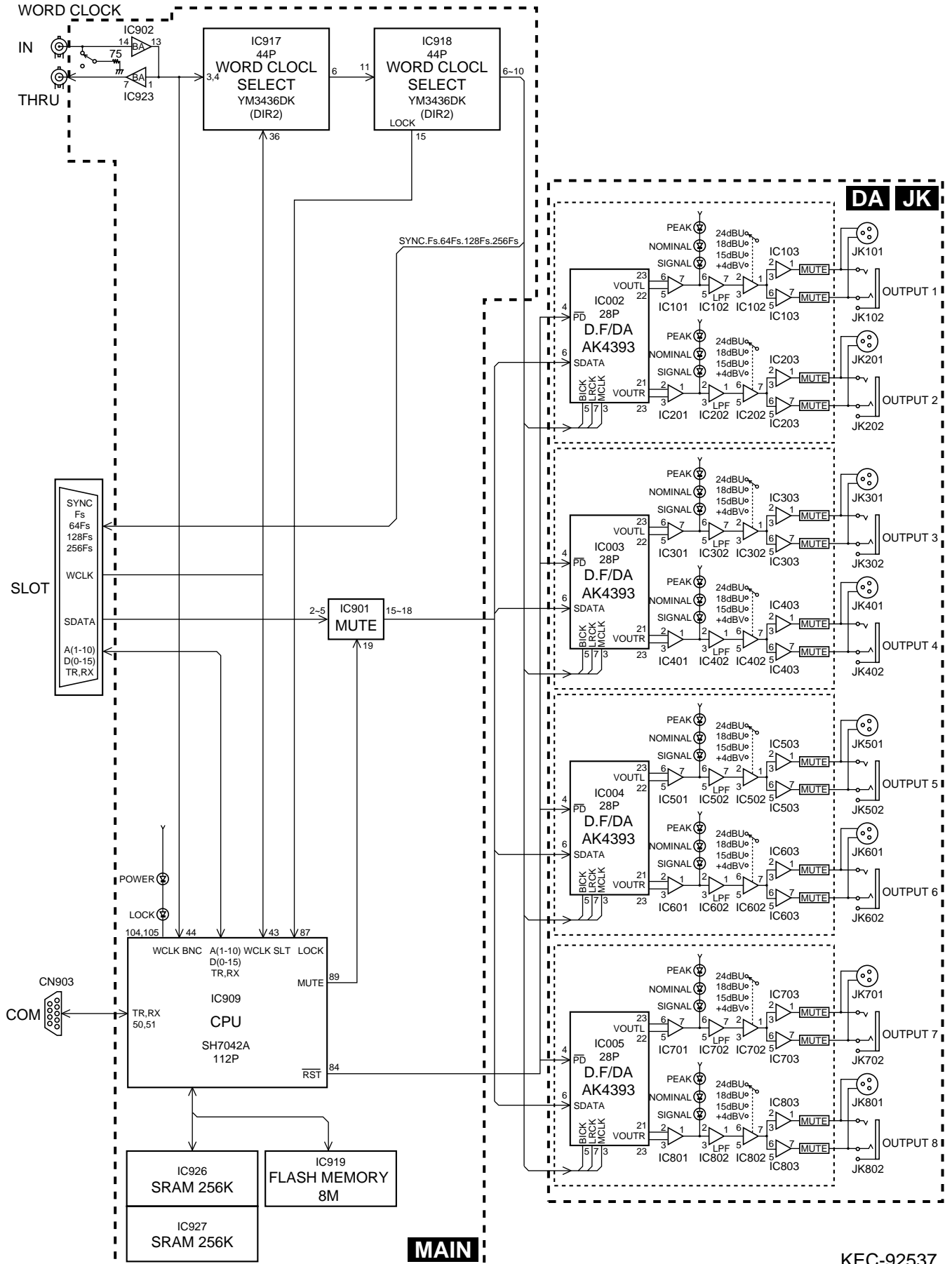


■ DIMENTIONS



Unit: mm

BLOCK DIAGRAM



DISASSEMBLY PROCEDURE

1. Top Cover

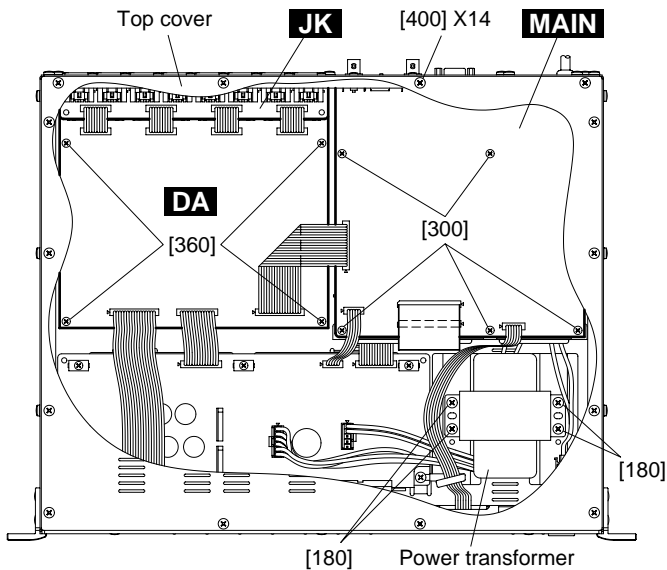
1-1 Remove the fourteen (14) screws marked [400]. The top cover can then be removed. (Fig. 1)

2. Circuit Boards and Units

Remove the top cover, each circuit board and unit can then be removed.

| Circuit Board and Unit | Ref. No. | Screw | QTY | Fig. |
|------------------------|----------|---|-----|------|
| MAIN | A | Screw | 2 | 2 |
| | 280 | Bonding Screw 4.0X8 MFZN2BL (VS154500) | 1 | 2 |
| | 290 | Bonding Screw 3.0X6 MFZN2BL (VS863000) | 2 | 2 |
| | 300 | Bind Head Tapping Screw-B 3.0X6 MFZN2BL (EP600230) | 5 | 1 |
| JK | 380 | Bonding Tapping Screw 3.0X8 MFZN2BL (VN41330) | 16 | 2 |
| DA | 350 | Bonding Tapping Screw 3.0X8 MFZN2BL (VN41330) | 6 | 2 |
| | 360 | Bind Head Tapping Screw-B 3.0X6 MFZN2BL (EP600230) | 4 | 1 |
| DC Assembly | 200 | Bind Head Tapping Screw-B A4.0X6 MFZN2BL (VC688800) | 2 | 3 |
| Power Transformer | 180 | Bind Head Tapping Screw-B A4.0X6 MFZN2BL (VC688800) | 4 | 1 |

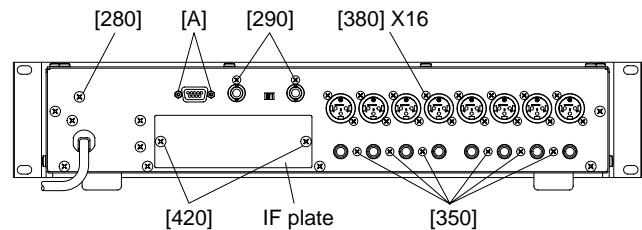
<Top View>



[400]: Bind Head Tapping Screw-B A4.0X8 MFZN2BL (VC688800)

(Fig. 1)

<Rear View>



[420]: Bind Head Screw A4.0X12 MFZN2BL (VP156900)

(Fig. 2)

3. MYSL Circuit Board

* Note that remove card before following operation.

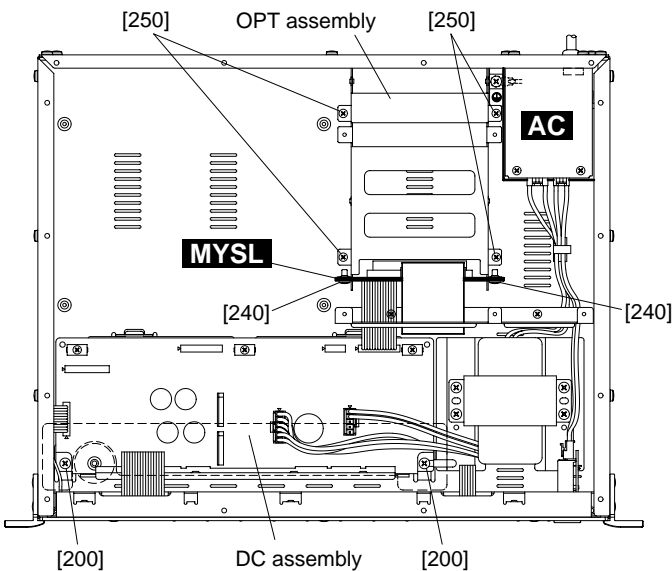
- 3-1 Remove the top cover. (See procedure 1.)
- 3-2 Remove the MAIN circuit board. (See procedure 2.)
- 3-3 Remove the two (2) screws marked [420]. The IF plate can then be removed. (Fig. 2)
- 3-4 Remove the four (4) screws marked [250]. The OPT assembly can then be removed. (Fig. 3)
- 3-5 Remove the two (2) screws marked [240]. The MYSL circuit board can then be removed. (Fig. 3)

4. AC Circuit Board

- 4-1 Remove the top cover. (See procedure 1.)
- 4-2 Remove the three (3) screws marked [60A] and the two (2) screws marked [110]. The AC circuit board can then be removed. (Fig. 4)

* The fuse is not a part of the AC circuit Board. When you replace the AC circuit board, you should remove the fuse from the board, and put it back into the holder on the new board.

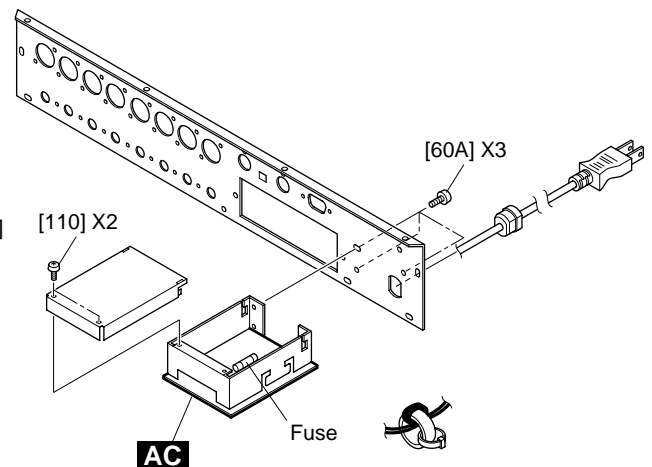
<Top View>



[240]: Bind Head Screw 4.0X8 MFZN2BL (EG340360)
 [250]: Bonding Tapping Screw-B 3.0X8 MFZN2BL (VN413300)

(Fig. 3)

• Rear Panel Assembly



[60A]: Bind Head Tapping Screw-B A4.0X8 MFZN2BL (VC688800)
 [110]: Bonding Tapping Screw-B 3.0X8 MFZN2BL (VN413300)

(Fig. 4)

5. DC Circuit Board

- 5-1 Remove the top cover. (See procedure 1.)
- 5-2 Remove the DC assembly. (See procedure 2.)
- 5-3 Remove the four (4) screws marked [60B]. The transistor holder can then be removed. (Fig. 5)
- 5-4 Remove the three (3) screws marked [40]. The DC circuit board can then be removed. (Fig. 5)

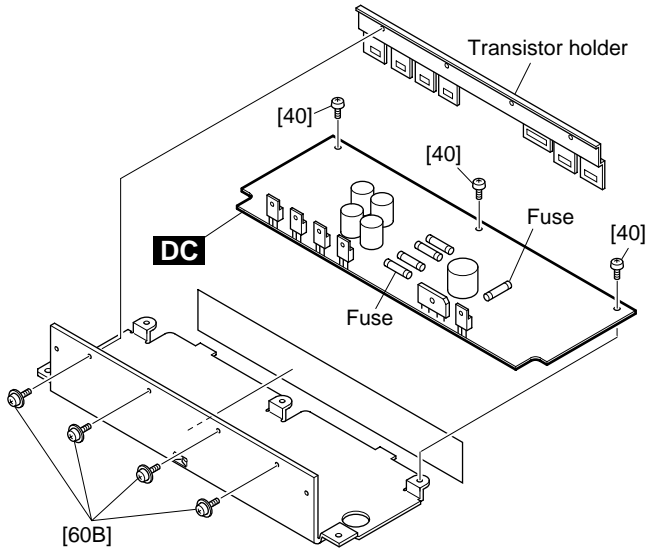
* The four fuses are not part of the DC circuit Board. When you replace the DC circuit board, you should remove the fuses from the board, and put it back into the holder on the new board.

6. PN Circuit Board and SW Circuit Board

- 6-1 Remove the top cover. (See procedure 1.)
- 6-2 Remove the six (6) screws marked [130]. The right and left rack mount angles can then be removed. (Fig. 6)
- 6-3 Remove the six (6) screws marked [70]. The front panel can then be removed. (Fig. 7)

- 6-4 PN Circuit Board:
Remove the four (4) screws marked [30]. The PN circuit board can then be removed. (Fig. 7)
- 6-5 SW Circuit Board:
Remove the two (2) screws marked [50]. The SW circuit board can then be removed. (Fig. 7)

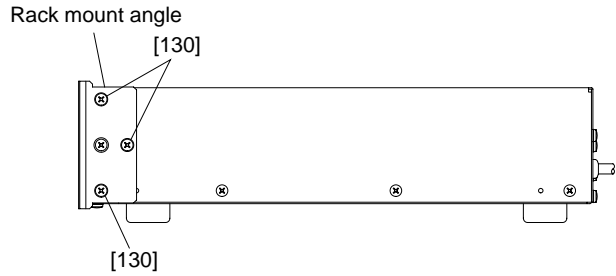
• DC Assembly



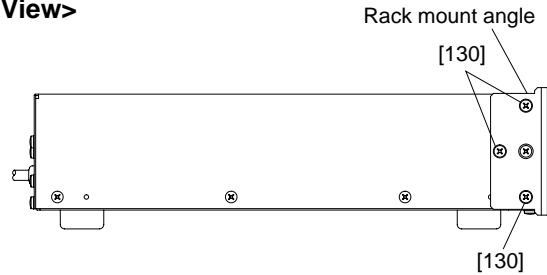
[40]: Bind Head Tapping Screw-B A3.0X8 MFZN2BL (VP157000)
[60B]: Bonding Tapping Screw-B 3.0X8 MFZN2BL (VN413300)

(Fig. 5)

<Right View>



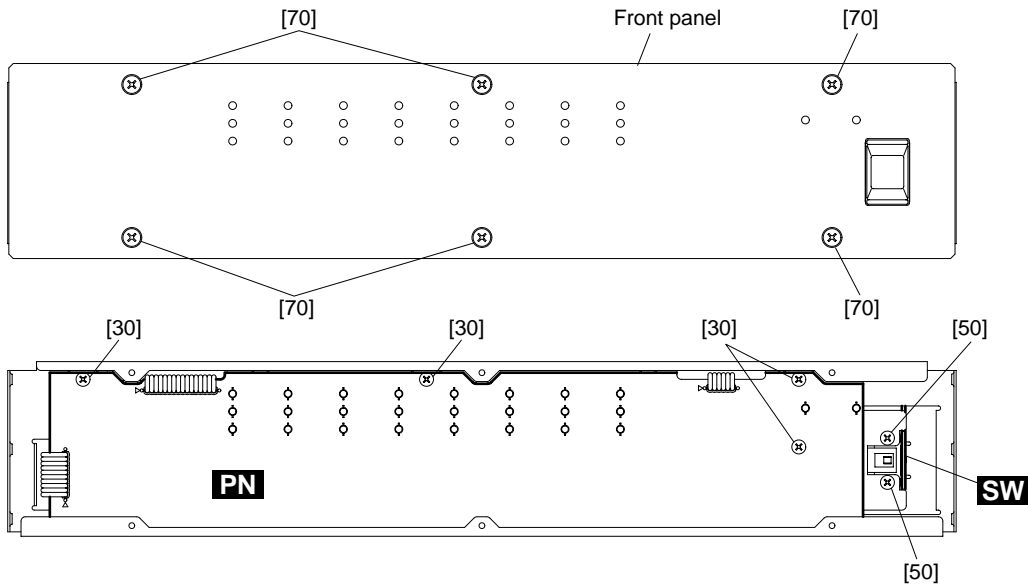
<Left View>



[130]: Oval Head Screw 4.0X8 MFZN2BL (VS153600)

(Fig. 6)

<Front View>



[30]: Bind Head Tapping Screw-B 3.0X6 MFZN2BL (EP600230)
[50]: Bonding Screw 3.0X6 MFZN2BL (VS863000)

[70]: Oval Head Screw 4.0X8 MFZN2BL (VS153600)

(Fig. 7)

■ LSI PIN DESCRIPTION

● YM3436DK (XG948E00) DIR2 (Digital Format Interface Receiver)

MAIN: IC917, 918

| PIN NO. | NAME | I/O | FUNCTION | PIN NO. | NAME | I/O | FUNCTION |
|---------|------|-----|---|---------|------|-----|--|
| 1 | DAUX | I | Auxiliary input for audio data | 23 | RSTN | I | System reset input |
| 2 | HDLT | O | Asynchronous buffer operation flag | 24 | Vdda | | VCO section power (+5V) |
| 3 | DOUT | O | Audio data output | 25 | CTLN | I | VCO control input N |
| 4 | VFL | O | Parity flag output | 26 | PCO | O | PLL phase comparison output |
| 5 | OPT | O | Fs x 1 Synchronous output signal for DAC | 27 | (NC) | | |
| 6 | SYNC | O | Fs x 1 Synchronous output signal for DSP | 28 | CTLP | I | VCO control input P |
| 7 | MCC | O | Fs x 64 Bit clock output | 29 | Vssa | | VCO section power (GND) |
| 8 | WC | O | FS x 1 Word clock output | 30 | TSTN | I | Test terminal. Open for normal use |
| 9 | MCB | O | Fs x 128 Bit clock output | 31 | KM2 | I | Clock mode switching input 2 |
| 10 | MCA | O | Fs x 256 Bit clock output | 32 | KM0 | I | Clock mode switching input 0 |
| 11 | SKSY | I | Clock synchronization control input | 33 | FS1 | O | Channel status sampling frequency display output 1 |
| 12 | XI | I | Crystal oscillator connection or external clock input | 34 | FS0 | O | Channel status sampling frequency display output 0 |
| 13 | XO | O | Crystal oscillator connection | 35 | CSM | I | Channel status output method selection |
| 14 | P256 | O | VCO oscillating clock connection | 36 | EXTW | I | External synchronous auxiliary input word clock |
| 15 | LOCK | O | PLL lock flag | 37 | DDIN | I | EIAJ (AES/EBU) data input |
| 16 | Vss | | Logic section power (GND) | 38 | LR | O | PLL word clock output |
| 17 | TC | O | PLL time constant switching output | 39 | Vdd | | Logic section power (+5 V) |
| 18 | DIM1 | I | Data input mode selection | 40 | ERR | O | Data error flag output |
| 19 | DIM0 | I | Data input mode selection | 41 | EMP | O | Channel status emphasis control code output |
| 20 | DOM1 | I | Data output mode selection | 42 | CD0 | O | 3-wire type microcomputer interface data output |
| 21 | DOM0 | I | Data output mode selection | 43 | CCK | I | 3-wire type microcomputer interface clock input |
| 22 | KM1 | I | Clock mode switching input 1 | 44 | CLD | I | 3-wire type microcomputer interface load input |

● AK4393-VS-E2 (XW029A00) DAC (Digital to Analog Converter)

DA: IC2-5

| PIN NO. | NAME | I/O | FUNCTION | PIN NO. | NAME | I/O | FUNCTION |
|---------|-----------|-----|----------------------------|----------------------|--------|------|------------------------------|
| 1 | DVSS | - | Digital ground | 15 | BVSS | - | Substrate ground |
| 2 | DVDD | - | Digital power supply | 16 | VREFL | I | Low level voltage reference |
| 3 | MCLK | I | Master clock | 17 | VREFH | I | High level voltage reference |
| 4 | /PD | I | Power down mode | 18 | AVDD | - | Analog power supply +5 V |
| 5 | BICK | I | Audio serial data clock | 19 | AVSS | - | Analog ground |
| 6 | SDATA | I | Audio serial data input | 20 | AOUTR- | O | Rch negative analog output |
| 7 | LRCK | I | L/R clock | 21 | AOUTR+ | O | Rch positive analog output |
| 8 | SMUTE//CS | I | Soft mute | 22 | AOUTL- | O | Lch negative analog output |
| 9 | DFS | I | Double speed sampling mode | 23 | AOUTL+ | O | Lch positive analog output |
| 10 | DEMO/CCLK | I | De-emphasis enable | 24 | VCOM | O | Common voltage output |
| 11 | DEM1/CDTI | I | | 25 | P//S | I | Parallel/serial select |
| 12 | DIF0 | I | | Digital input format | 26 | CKS0 | I |
| 13 | DIF1 | I | 27 | | CKS1 | I | |
| 14 | DIF2 | I | 28 | | CKS2 | I | |

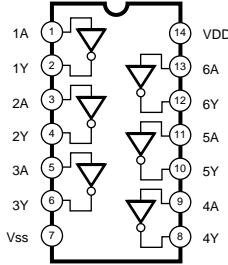
● HD6477042AF28 (XY721A00) CPU

MAIN: IC909

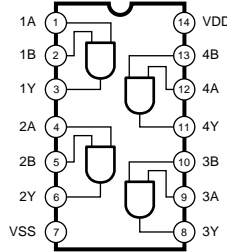
| PIN NO. | NAME | I/O | FUNCTION | PIN NO. | NAME | I/O | FUNCTION |
|---------|---------------|-----|--------------------------------|---------------------------------|------|-----------|----------|
| 1 | PE14 | O | Port E | 57 | D11 | I/O | Data bus |
| 2 | PE15 | O | Port E | 58 | D10 | I/O | |
| 3 | VSS | I | Ground | 59 | D9 | I/O | |
| 4 | A0 | O | Address bus | 60 | D8 | I/O | Data bus |
| 5 | A1 | O | | | | | |
| 6 | A2 | O | | Ground | 61 | VSS | I |
| 7 | A3 | O | | | | | |
| 8 | A4 | O | | Data bus | 62 | D7 | I/O |
| 9 | A5 | O | | | | | |
| 10 | A6 | O | | Power supply | 63 | D6 | I/O |
| 11 | A7 | O | | | | | |
| 12 | A8 | O | | Data bus | 64 | D5 | I/O |
| 13 | A9 | O | | | | | |
| 14 | A10 | O | | Ground | 65 | VCC | I |
| 15 | A11 | O | | | | | |
| 16 | A12 | O | | Crystal oscillator | 66 | D4 | I/O |
| 17 | A13 | O | | | | | |
| 18 | A14 | O | | Mode control | 67 | D3 | I/O |
| 19 | A15 | O | | | | | |
| 20 | A16 | O | Non-maskable interrupt request | 68 | D2 | I/O | |
| 21 | VCC | I | | Power supply | 69 | D1 | I/O |
| 22 | A17 | O | Address bus | | 70 | D0 | I/O |
| 23 | VSS | I | | Ground | 71 | VSS | I |
| 24 | /RAS | O | Row address strobe | | 72 | XTAL | I |
| 25 | /CASL | O | | Column address strobe (low) | 73 | MD3 | I |
| 26 | /CASH | O | Column address strobe (high) | | 74 | EXTAL | I |
| 27 | VSS | O | | Ground | 75 | MD2 | I |
| 28 | RDWR / PB5 | O | DRAM read/write / Port B | | 76 | NMI | I |
| 29 | A18 | O | | Address bus | 77 | VCC | I |
| 30 | A19 | O | Port B / Address bus | | 78 | MD1 | I |
| 31 | A20 | O | | Ground | 79 | MD0 | I |
| 32 | PB9 / A21 | O | Read | | 80 | PLL VCC | I |
| 33 | VSS | I | | Watch dog timer overflow | 81 | PLLCAP | I |
| 34 | /RD | O | High write | | 82 | PLL VSS | I |
| 35 | /WDTOVF | O | | Power supply | 83 | PA15 / CK | O |
| 36 | /WRH | O | Low write | | 84 | /RES | I |
| 37 | VCC | I | | Ground | 85 | PE0 | I |
| 38 | /WRL | O | Ground | | 86 | PE1 | I |
| 39 | VSS | I | | Analog input / Port F | 87 | PE2 | I |
| 40 | /CS1 | O | Chip select | | 88 | PE3 | I |
| 41 | /CS0 | O | | Chip select | 89 | PE4 | I |
| 42 | PA9 / TCLKD | O | Port A / Timer clock | | 90 | VSS | I |
| 43 | /IRQ2 / TCLKC | I | | Interrupt request / Timer clock | 91 | AN0 / PF0 | I |
| 44 | /CS3 | O | Chip select | | 92 | AN1 / PF1 | I |
| 45 | /CS2 | O | | Chip select | 93 | AN2 / PF2 | I |
| 46 | /IRQ1 | I | Interrupt request | | 94 | AN3 / PF3 | I |
| 47 | TXD | O | | Data transmission | 95 | AN4 / PF4 | I |
| 48 | RXD | I | Data reception | | 96 | AN5 / PF5 | I |
| 49 | /IRQ0 | I | | Interrupt request | 97 | AVSS | I |
| 50 | PA1 / TXD0 | O | Port A / Data transmission | | 98 | AN6 / PF6 | I |
| 51 | PA0 / RXD0 | I | | Port A / Data reception | 99 | AN7 / PF7 | I |
| 52 | D15 | I/O | Data bus | | 100 | AVCC | I |
| 53 | D14 | I/O | | Ground | 101 | VSS | I |
| 54 | D13 | I/O | | | | | |
| 55 | VSS | I | Ground | 102 | PE5 | O | |
| 56 | D12 | I/O | | Data bus | 103 | VCC | I |
| | | | | | 104 | PE6 | O |
| | | | | 105 | PE7 | O | |
| | | | | 106 | PE8 | O | |
| | | | | 107 | PE9 | O | |
| | | | | 108 | PE10 | O | |
| | | | | 109 | VSS | I | |
| | | | | 110 | PE11 | O | |
| | | | | 111 | PE12 | O | |
| | | | | 112 | PE13 | O | |

IC BLOCK DIAGRAM

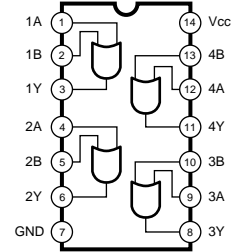
- **HD74LV04AFPEL** (IS000400)
HD74LVU04AFPEL (XY102A00)
Hex Inverter
MAIN: IC911,915



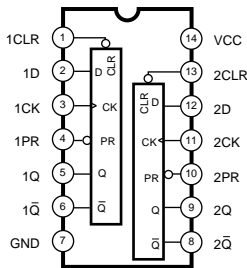
- **HD74LV08AFPEL** (IS000800)
Quad 2 Input AND
MAIN: IC912



- **HD74LV32AFPEL** (IS003200)
Quad 2 Input OR
MAIN: IC928

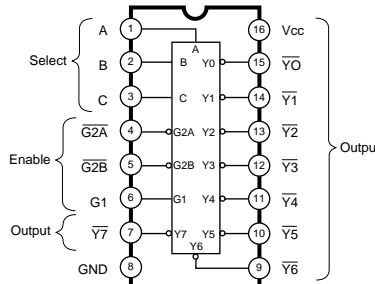


- **HD74LV74AFPEL** (IS007400)
Dual D-Type Flip-Flop
MAIN: IC914

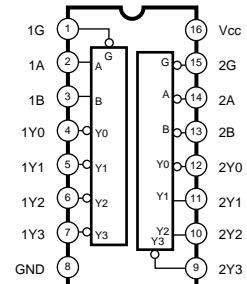


| INPUTS | | | | OUTPUTS | |
|--------|-----|-----|---|----------------|----------------|
| PR | CLR | CLK | D | Q | Q̄ |
| L | H | X | X | H | L |
| H | L | X | X | L | H |
| L | L | X | X | H | H |
| H | H | f | H | H | L |
| H | H | f | L | L | H |
| H | H | L | X | Q _o | Q _o |

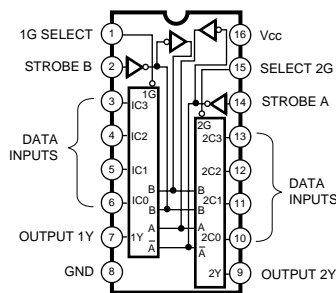
- **SN74LV138ANSR** (IS013810)
3 to 8 Demultiplexer
MAIN: IC913



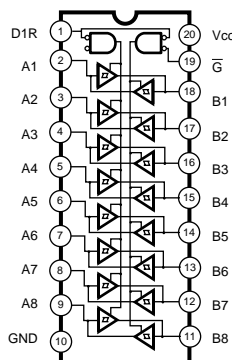
- **SN74LV139ANSR** (IS013910)
Dual 2 to 4 Demultiplexer
MAIN: IC920



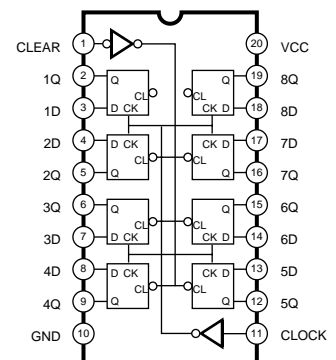
- **TC74HC153AFEL** (XY309A00)
Dual 4 to 1 Data Selectors
MAIN: IC910



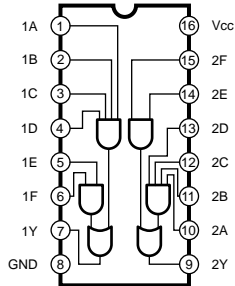
- **HD74LV245AFPEL** (IS024500)
Octal 3-State Bus Transceiver
MAIN: IC901,903-905,907,908,924
DA: IC101



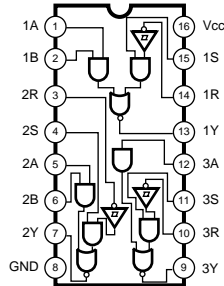
- **HD74LV273AFPEL** (IS027300)
Octal D-Type Flir Flop
MAIN: IC922



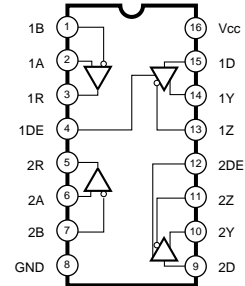
- **SN75121NSR** (XU816A00)
Dual Line Driver
MAIN: IC923



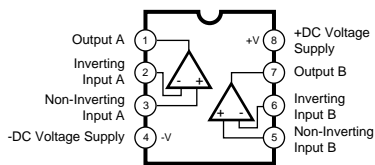
- **SN75124NS** (XN976A00)
Triple Line Receiver
MAIN: IC902



- **SN75C1168NSR** (XU073A00)
Line Driver / Receiver
MAIN: IC906



- **NJM2068D-D** (XA987A00)
NJM2068MD-T1 (XJ553A00)
NJM4556AL (XP844A00)
Dual Operational Amplifier
PN: IC101,301,501,701
DA: IC101-103,201-203,301-303,401-403,
501-503,601-603,701-703,801-803

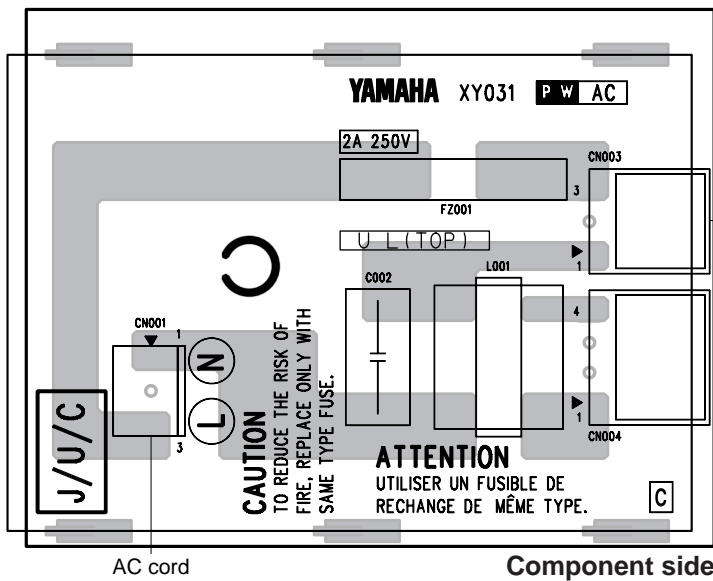


■ CIRCUIT BOARDS

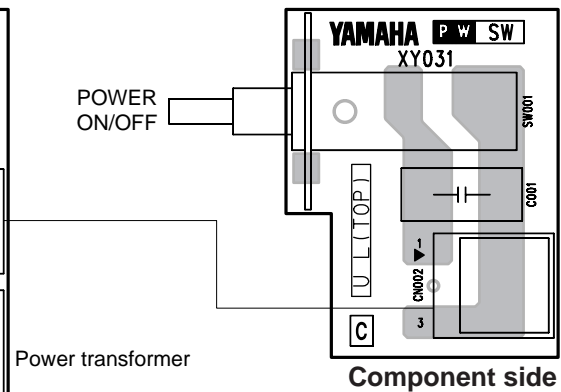
| | |
|--|----|
| AC Circuit Board (H,W,B) (XY032C0) | 15 |
| AC Circuit Board (J, U, V) (XY031C0) | 15 |
| DA Circuit Board (XY035B0)..... | 23 |
| DC Circuit Board (H,W,B) (XY032C0) | 17 |
| DC Circuit Board (J, U, V) (XY031C0) | 16 |
| JK Circuit Board (XY035B0) | 24 |
| MAIN Circuit Board (XY036B0)..... | 19 |
| MYSL Circuit Board (XY036B0)..... | 20 |
| PN Circuit Board (XY034A0)..... | 18 |
| SW Circuit Board (H,W,B) (XY032C0)..... | 15 |
| SW Circuit Board (J, U, V) (XY031C0) | 15 |

Note: See parts list for details of circuit board component parts.

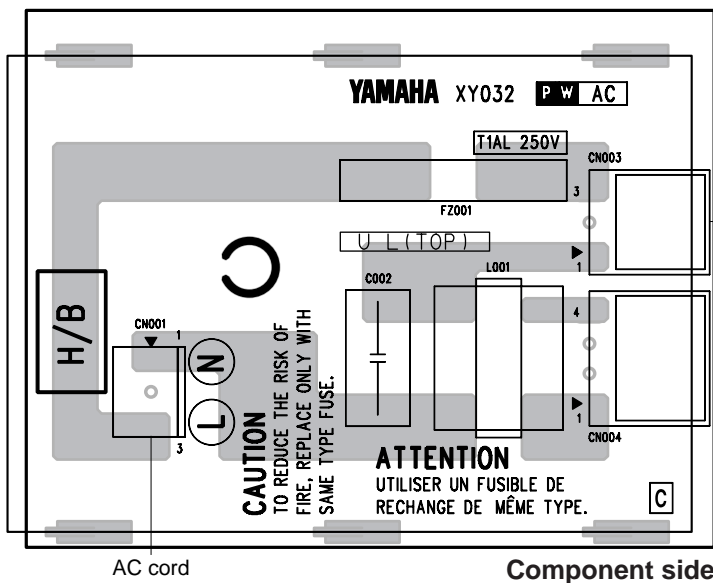
● AC Circuit Board (J, U, C)



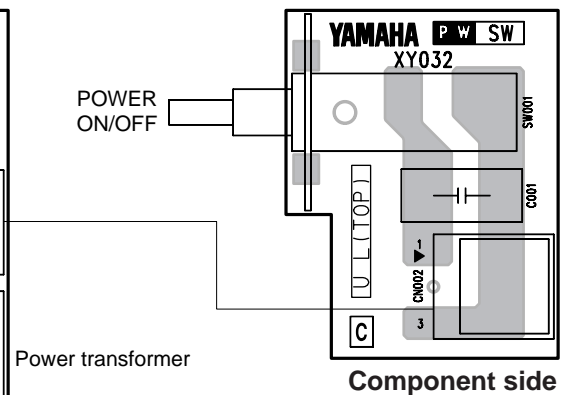
● SW Circuit Board (J, U, C)



● AC Circuit Board (H,W,B)

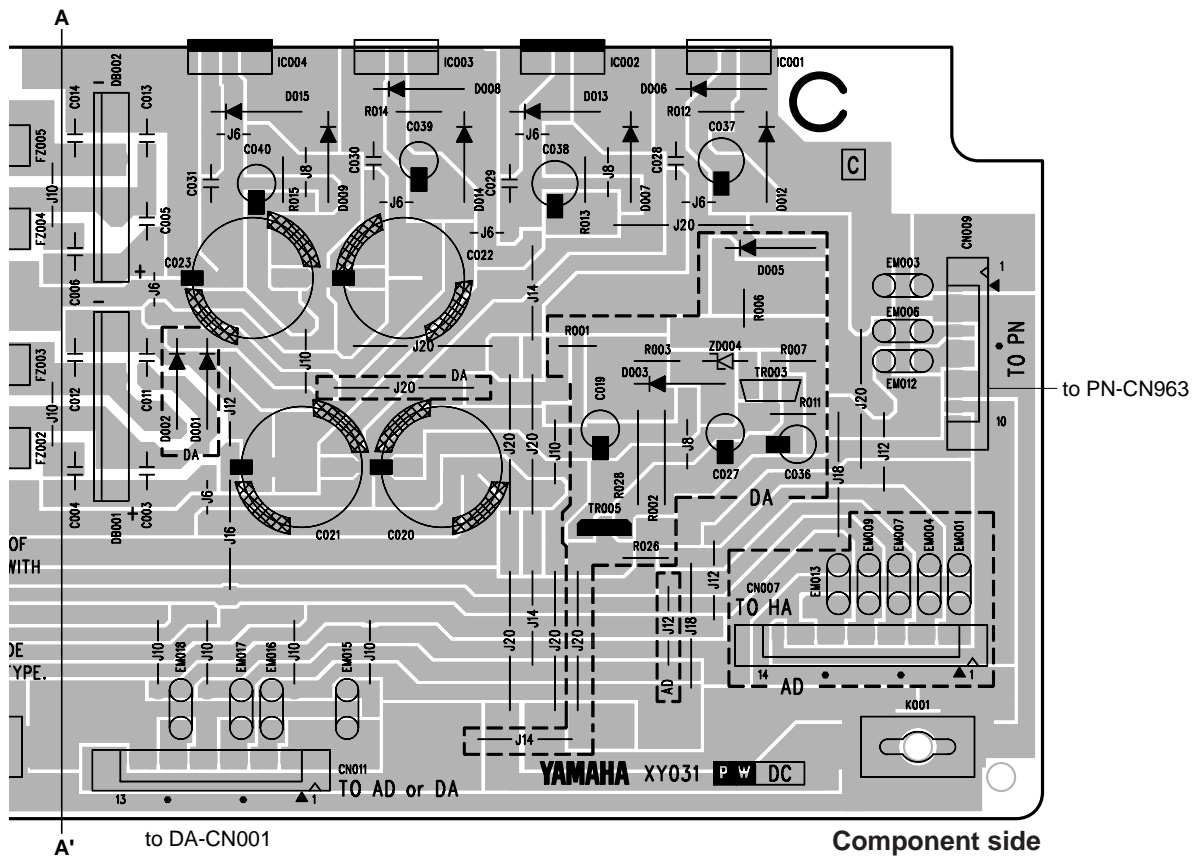
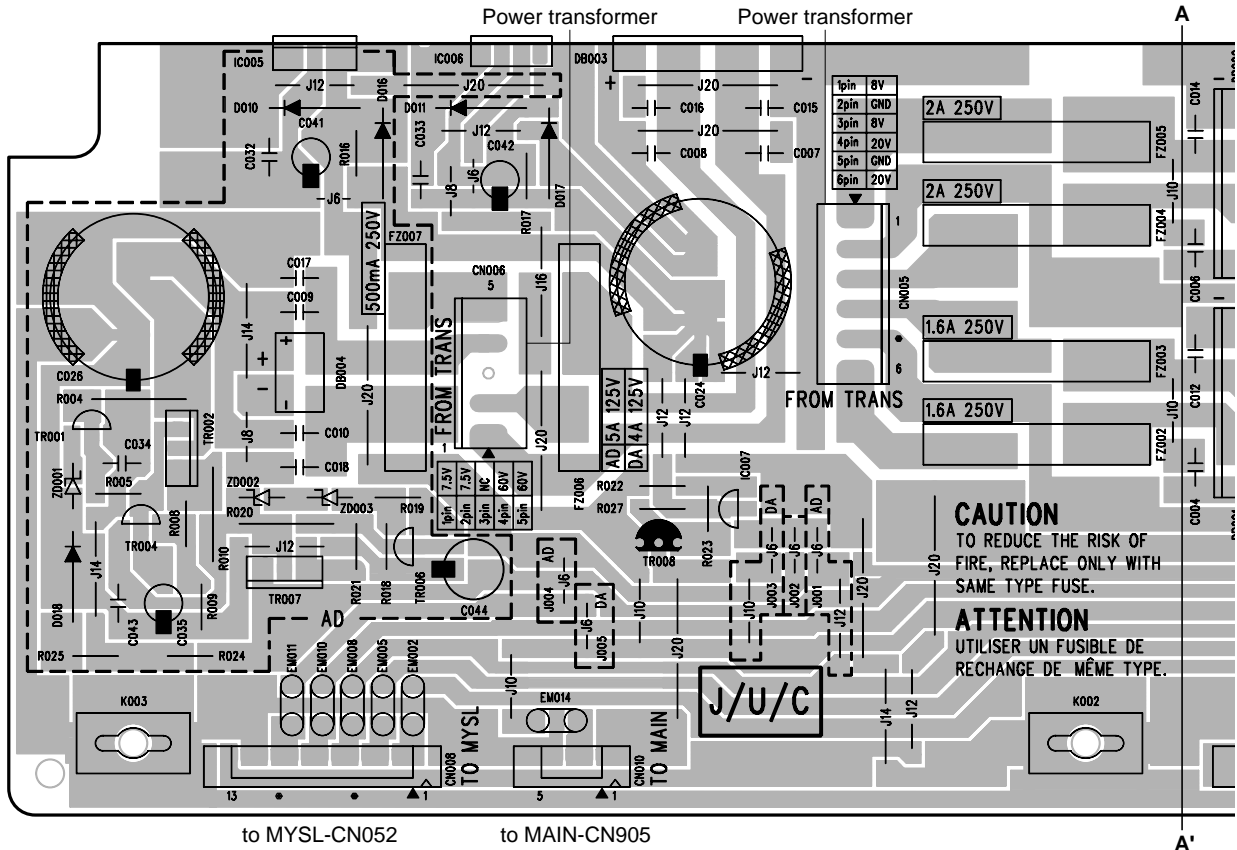


● SW Circuit Board (H,W,B)



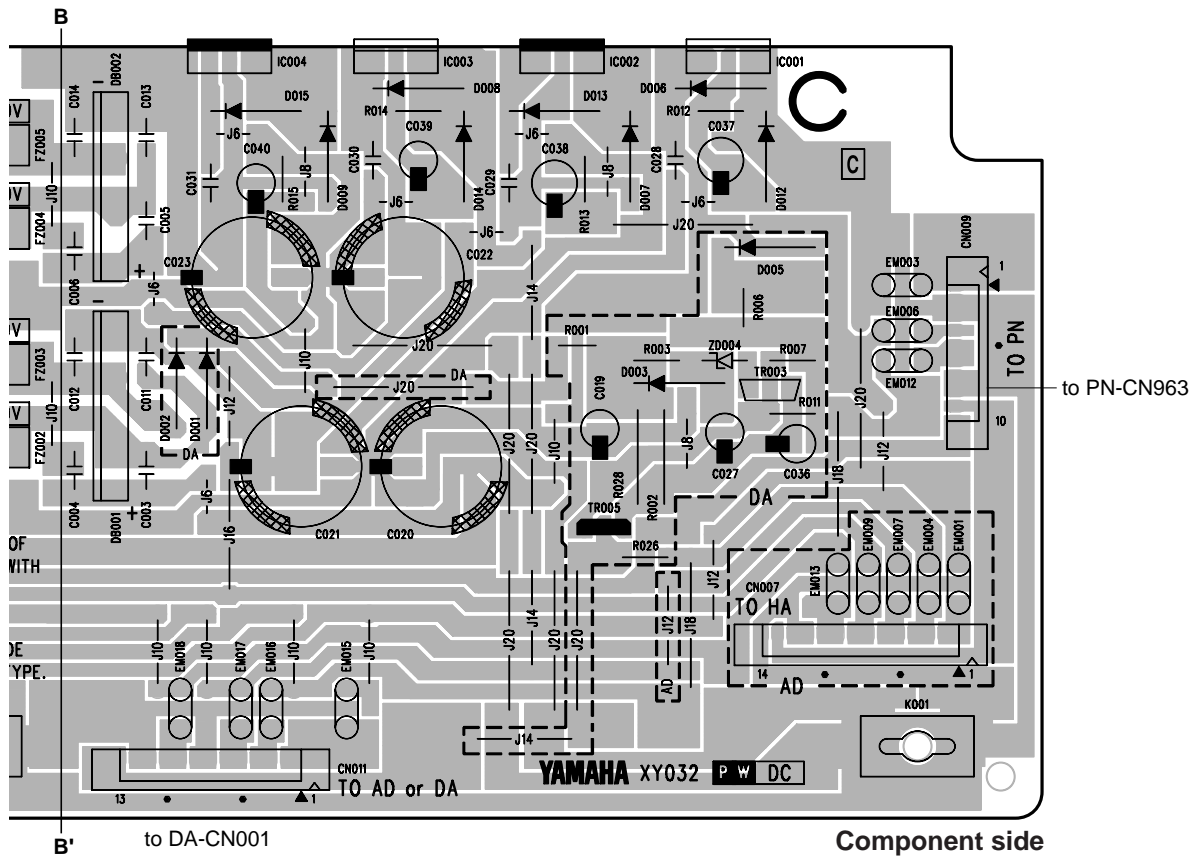
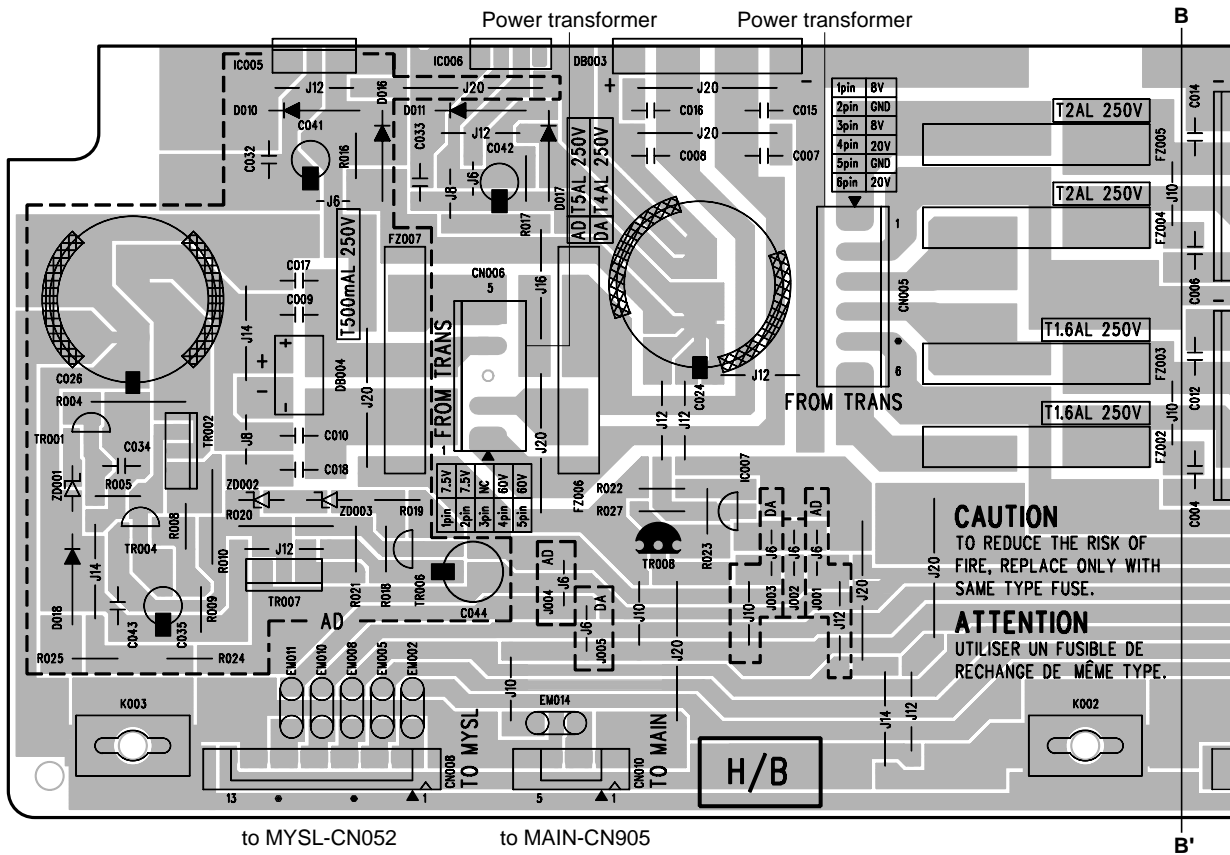
AC, SW(J,U,V): 3NA-V485500 △
 AC, SW(H,W,B): 3NA-V485540 △

● DC Circuit Board (J, U, C)

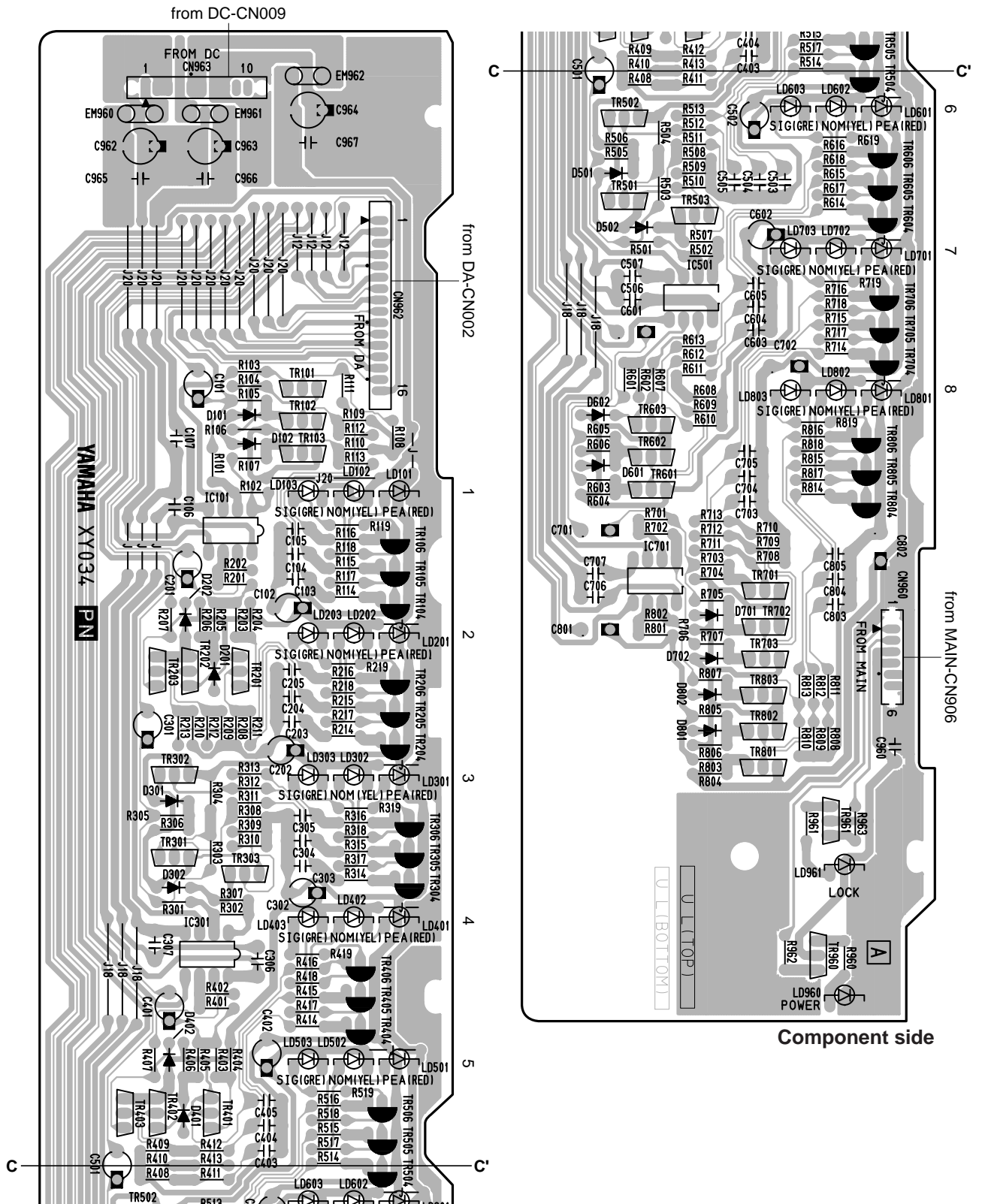


3NA-V485500

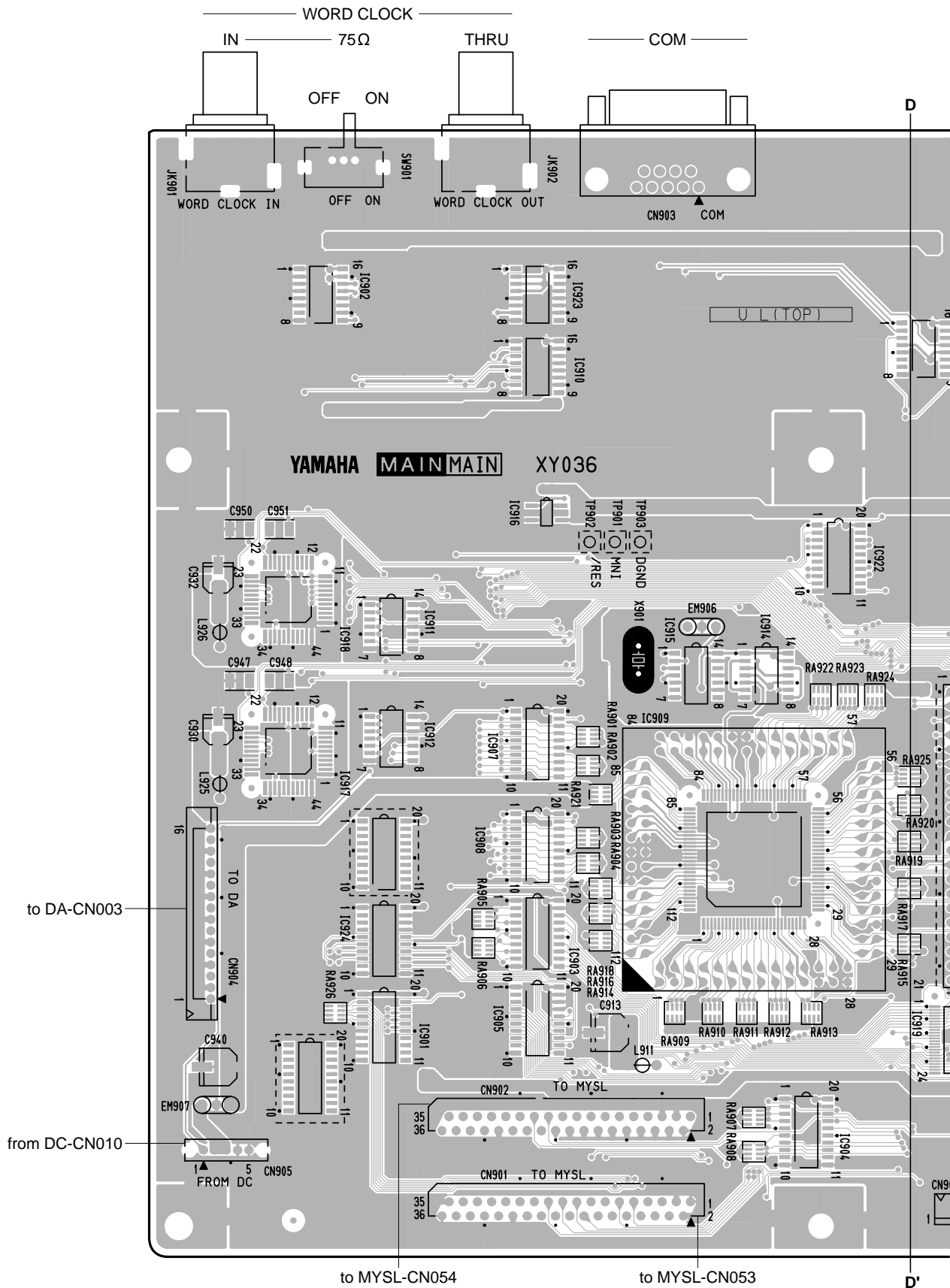
● DC Circuit Board (H,W,B)



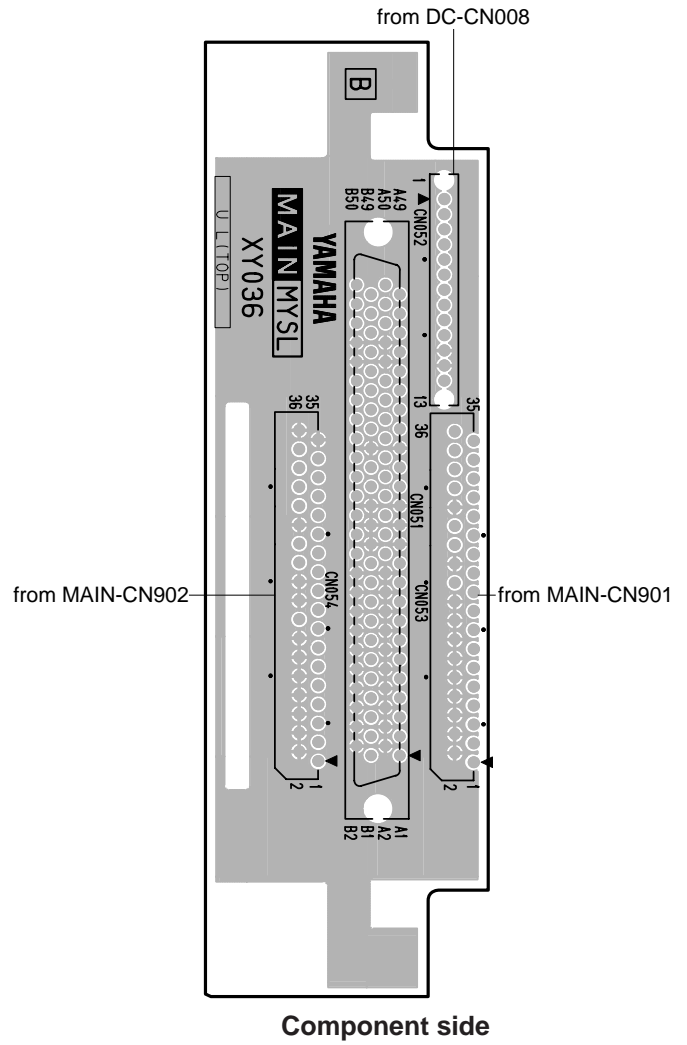
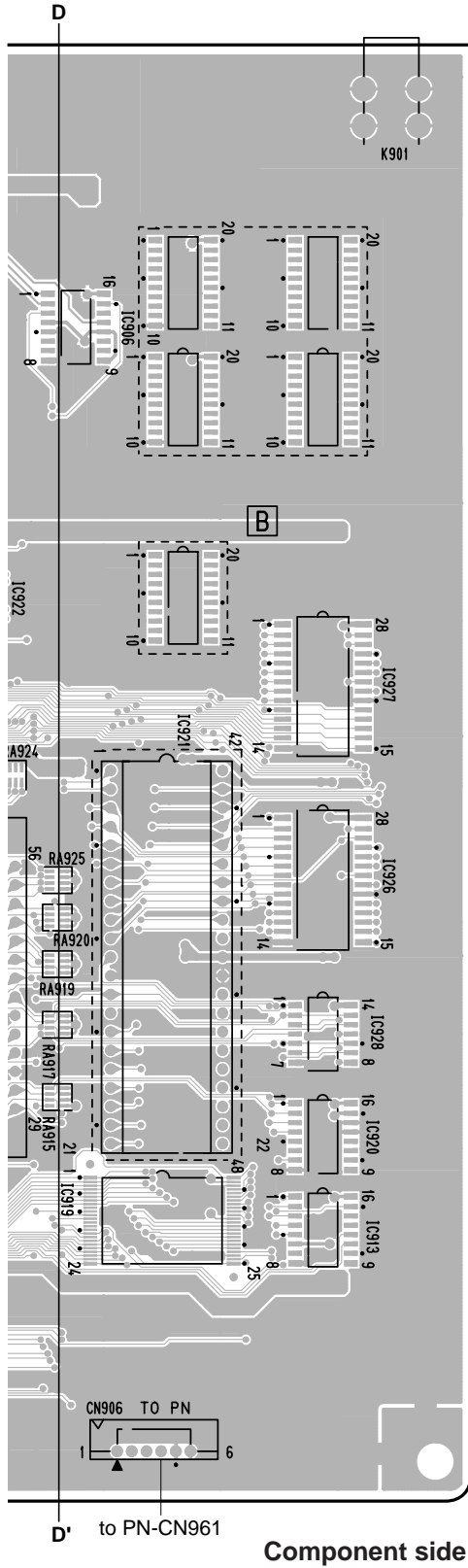
● PN Circuit Board



● MAIN Circuit Board

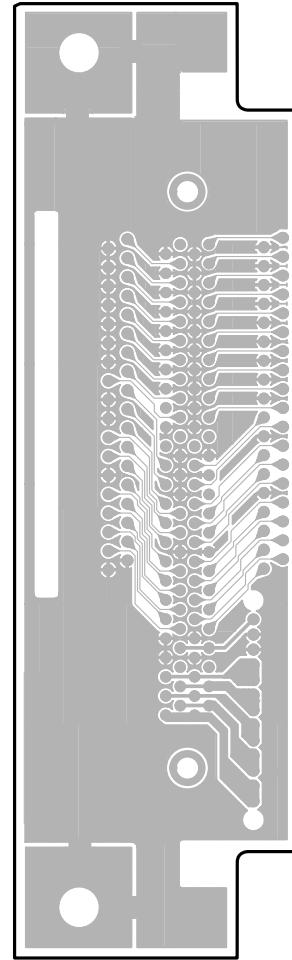
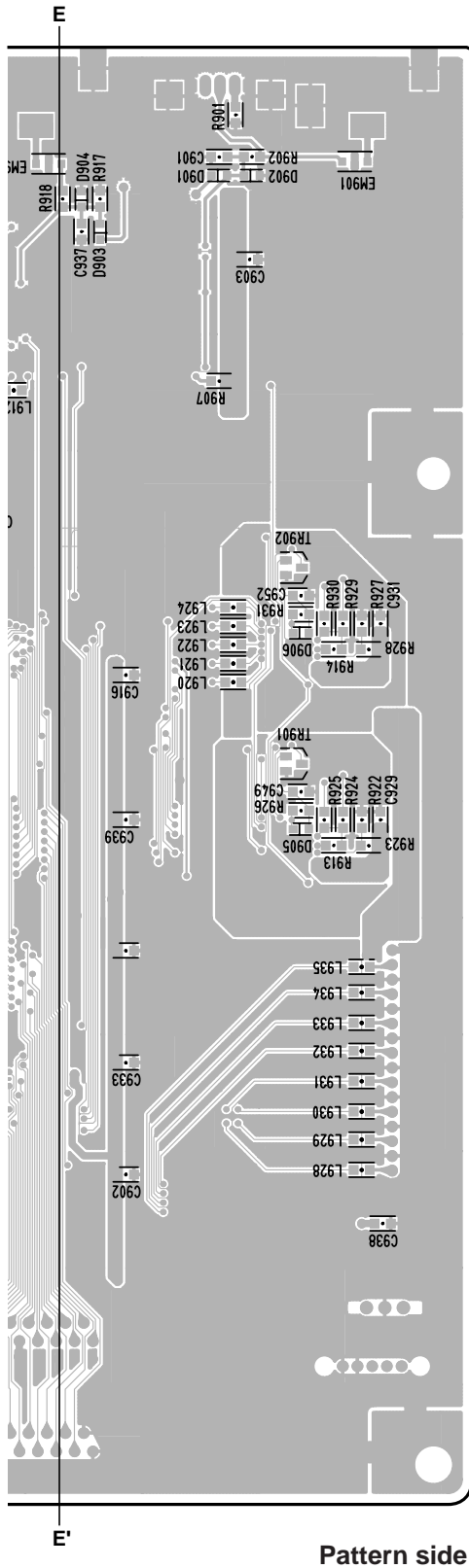


● MYSL Circuit Board



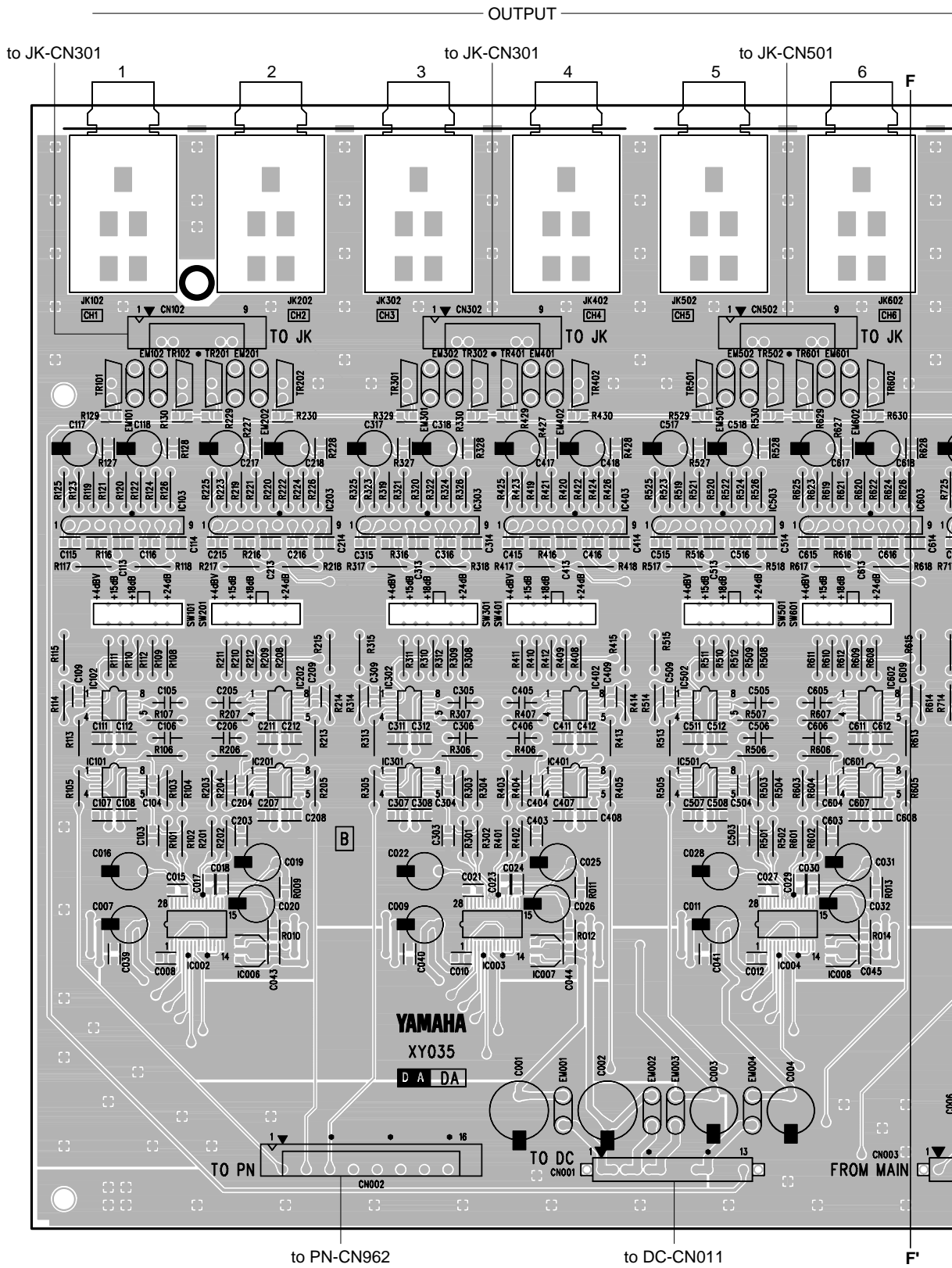
MAIN,MYSL: 3NA-V485480△

● MYSL Circuit Board

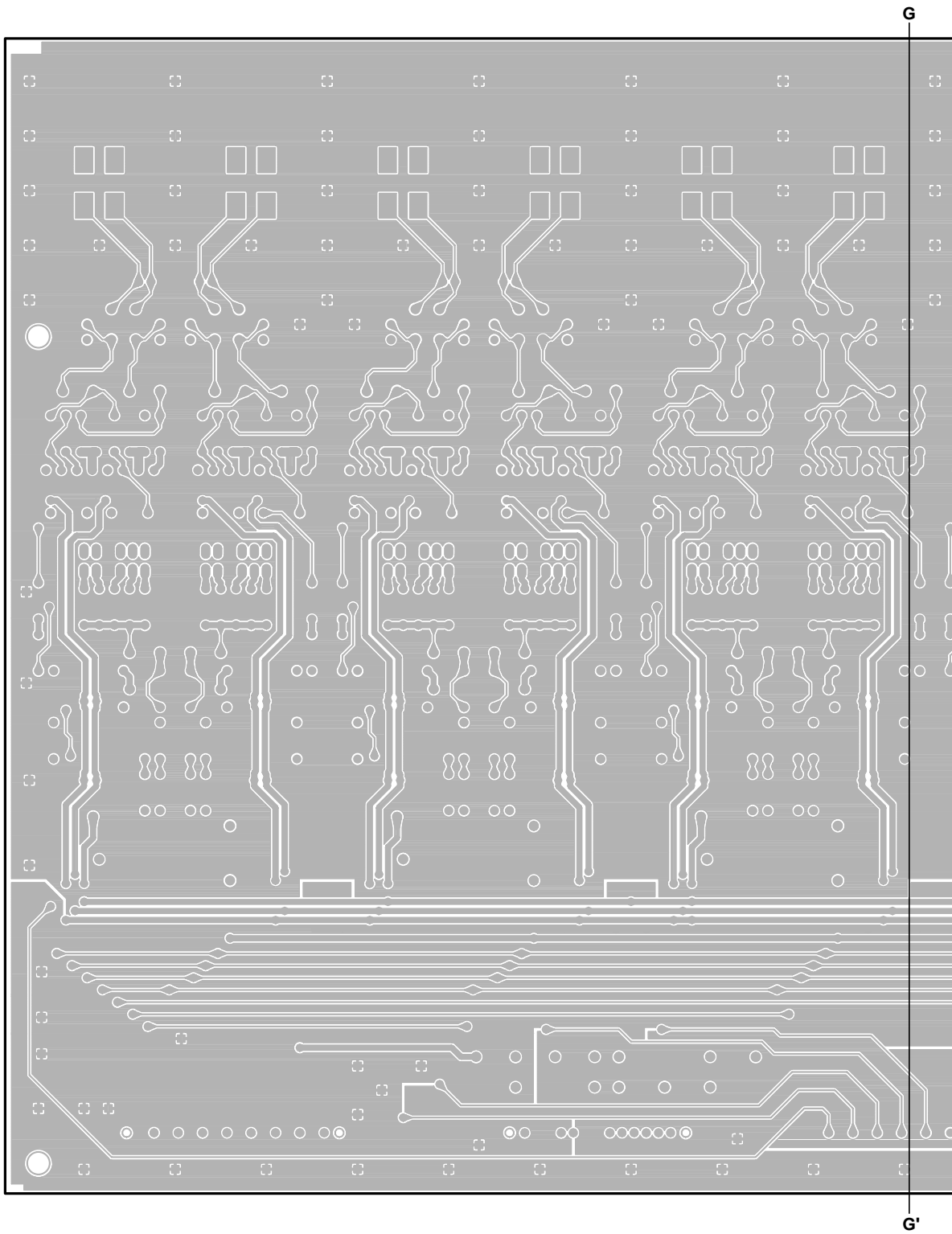


Pattern side

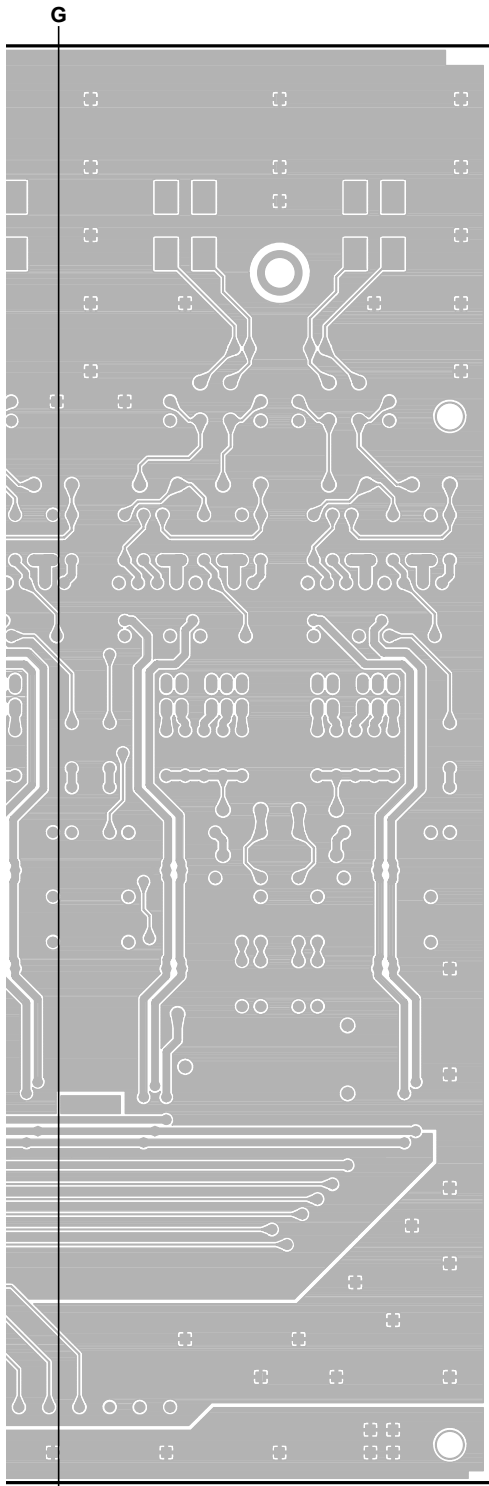
● DA Circuit Board



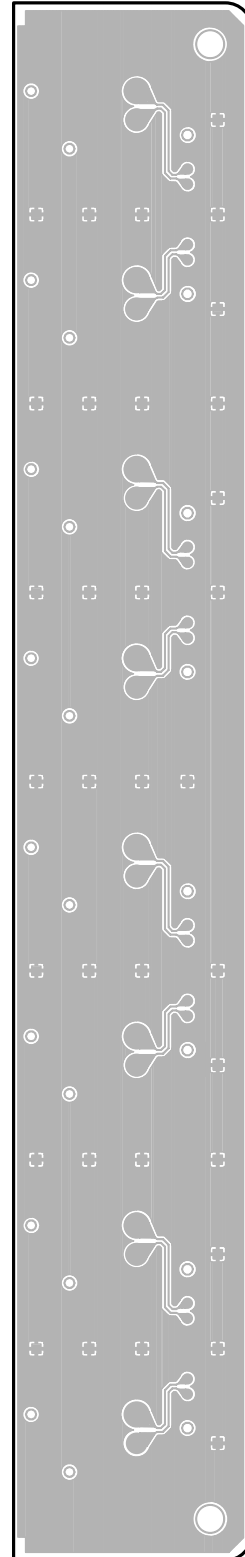
● DA Circuit Board



● JK Circuit Board



Pattern side



Pattern side

■ INSPECTION

1. Preparations

- 0 dBu=0.775 Vrms
- 0 dBV-1 Vrms=2.2 dBu
- The output impedance of the oscillator connected is 150 ohms.
- The input impedance of the oscilloscope and the level meter should be more than 100 k ohms.
- Distortion measurement is corrected at 80 kHz, -6 dB/OCT LPF.
- The load for output 1 to 8 is 600 ohms.
- Output 1 to 8 is measured at the cannon connector.
- Internal gain SW is +18 dB.
- Work clock in 75 ohms is set to on.
- Signal input of only the CH to be measured.
- Use AD824 and MY8-AE card and input signal.
- Input signal to AD824 NCH when measuring NCH.
- The setting for AD824 is gain 10 dB, word clock INT 48 kHz.

2. Inspections

2-1 OUTPUT1 to 8CH

(1) Gain

| Input frequency | Input level (AD824) | Internal gain SW | Specified output level | Permissible range |
|-----------------|---------------------|------------------|------------------------|-------------------|
| 1 kHz | +10 dBu | +24 dB | +10 dBu | +10±1 dBu |
| | | +18 dB | +4 dBu | +4±1 dBu |
| | | +15 dB | +1 dBu | +1±1 dBu |
| | | +4 dBV | -10 dBV | -10±1 dBV |

(2) f characteristics

Conditions: Permissible range uses 1 kHz as a reference.

| Input frequency | Input level (AD824) | Internal gain SW | Permissible range |
|-----------------|---------------------|------------------|-------------------|
| 20 Hz | +10 dBu | +24 dB | -3 – +1 dB |
| | | +18 dB | |
| | | +15 dB | |
| | | +4 dBV | |
| 20 kHz | +10 dBu | +24 dB | -3 – +1 dB |
| | | +18 dB | |
| | | +15 dB | |
| | | +4 dBV | |

(3) Distortion ratio

| Input frequency | Input level (AD824) | Internal gain SW | Specified output level | Permissible range |
|-----------------|---------------------|------------------|------------------------|-------------------|
| 20 Hz | +10 dBu | +24 dB | +10 dBu | Less than 0.05 % |
| | | +18 dB | +4 dBu | |
| | | +15 dB | +1 dBu | |
| | | +4 dBV | -10 dBV | |
| 20 kHz | | +24 dB | +10 dBu | Less than 0.05 % |
| | | +18 dB | +4 dBu | |
| | | +15 dB | +1 dBu | |
| | | +4 dBV | -10 dBV | |
| 1 kHz | +24 dBu | +24 dB | +24 dBu | Less than 0.01 % |
| | | +18 dB | +18 dBu | |
| | | +15 dB | +15 dBu | |
| | | +4 dBV | +4 dBV | |

(4) Difference between channels

Specify so that it will be less than the difference in the gain range measured at (1).

| Permissible range |
|-------------------|
| Within 1 dB |

(5) Cross talk between odd channels and even channels

Conditions: Input signal into odd channels.

Even channels shorted using 150 ohms.

| Input frequency | Output level (Odd CH) | Permissible range (Even CH) |
|-----------------|-----------------------|-----------------------------|
| 1 kHz | +16 dBu | Less than -54 dBu |

Even channels are also the same.

(6) Maximum output

Conditions: Inspect the cannon connector and phone connector individually.

| Input frequency | Output level | Permissible range | Permissible range (Distortion ratio) |
|-----------------|--------------|-------------------|--------------------------------------|
| 1 kHz | +18 dBu | +18±0.5 dBu | Less than 0.01 % |

2-2 Operation confirmation of level meters 1 to 8

Conditions: Input specified level to AD824 input 1 to 8.

AD824 can also have simultaneous input of channels 1 to 8

Visually confirm the on and off of the peak, nominal and signal LEDs.

(1) On (Lit)

| LED level | Input frequency | Input level (AD824) | Permissible range | Reference output level |
|-----------|-----------------|---------------------|-------------------|------------------------|
| PEAK | 1 kHz | +21 dBu | 0 – +2 dB | +15 dBu |
| NOMINAL | 1 kHz | +10 dBu | 0 – +2 dB | +4 dBu |
| SIGNAL | 1 kHz | -10 dBu | 0 – +2 dB | -16 dBu |

(2) Off (Not lit)

| LED level | Input frequency | Input level (AD824) | Permissible range | Reference output level |
|-----------|-----------------|---------------------|-------------------|------------------------|
| PEAK | 1 kHz | +18 dBu | 0 dB | +12 dBu |
| NOMINAL | 1 kHz | +8 dBu | 0 dB | +2 dBu |
| SIGNAL | 1 kHz | -12 dBu | 0 dB | -18 dBu |

2-3 Jitter measurement

- Connect AD824 word clock out and DA824 word clock in.
- Insert MY8-AE card into the slot and connect to DSA1 via the D-sub-cannon converter box.
- Set AD824 word clock settings to 48 kHz and 44.1 kHz.

| WORD CLOCK (AD824) | Permissible range |
|--------------------|-------------------|
| 48 kHz | Less than 6 nsec |
| 44.1 kHz | Less than 5 nsec |

2-4 Fs operating range

- Connect the oscillator to AD824 word clock in.

(1) Fs=50.88 kHz (48 kHz+6 %)

- Set the oscillator to 50.88 kHz.
- Conduct a listening test for one minute to check that there is no noise.

| Input frequency | Input level (AD824) | Output level | Permissible range |
|-----------------|---------------------|--------------|-------------------|
| 1 kHz | +10 dBu | +4 dBu | +4±1 dBu |

(2) Fs=39.69 kHz (44.1 kHz-10 %)

- Set the oscillator to 39.69 kHz.
- Make the same input as 2-4 1 and confirm that the same output level is attained. Or, conduct a listening test for one minute to check that there is no noise.

3. Sound

Perform a listening test to confirm the following items.

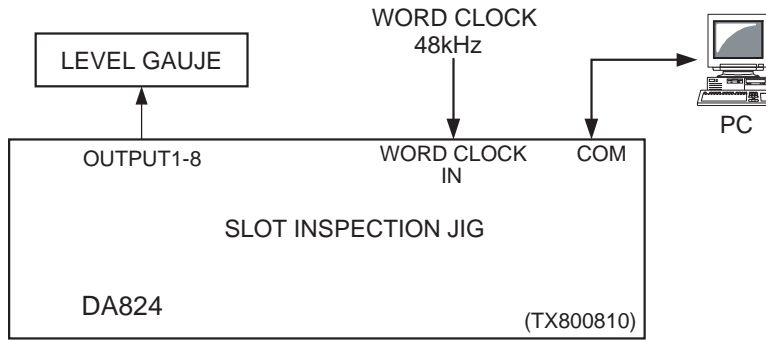
- OUTPUT

4. Settings after inspection

- Internal gain SW: +18 dB
- WORD CLOCK IN 75 ohms: ON

■ TEST PROGRAM

1. Reparations



- Connect PC (operating MS Windows) to COM terminal.
 - Input 48 kHz word clock to word clock IN terminal.
 - Insert the slot inspection jig (TX800810) into the slot.
- LMY-SLOT inspection jig specification manual

<Menu of Test Program>

The test program inspects the following eight items.

1. SRAM ↔ CPU connection check (automatic inspection)
2. SLOT ↔ CPU connection check (automatic inspection)
3. SLOT clock relationship check (automatic inspection)
4. SLOT power supply peripheral check (automatic inspection)
5. WORD CLOCK IN ↔ CPU connection check (automatic inspection)
6. Residual noise check (manual inspection)
7. COM terminal check (visual).
8. LOCK LED/POWER LED check (visual)

Execute the test program after loading DA824DIAG/V1.00 program.

2. Test procedure execution program

Connect the PC and COM terminals/ CN903 with a Dsub 9-pin serial cross cable and start the terminal software (such as Hyper Terminal).

The setting for the communication format is

Bit Rate: 38400 bps
 Data length: 8 bits
 Stop bit: 1
 Parity: none

The next time the power is turned on, the message

```
This is DA824 2000
DA824>
```

will be displayed in the window for the terminal software.

Use the keyboard for the PC to enter "diag" and screen display will change to

```
DA824>diag
DA824 Diagnosis version Vx.xx MAR.2000
DA824_DIAG>
```

and the DA824 will enter the test program mode. The version of the test program will be shown as x.xx. To remove the test program mode, enter "reset". It will be displayed as followed and it will be the same as when the power is turned on.

```
DA824_DIAG>reset
This is DA824 2000
DA824>
```

3. Automatic inspection

Use the keyboard for the PC to enter "test" and execute program

```
DA824_DIAG>test
```

The following items will be inspected automatically. At the end, a list of items determined to be NG (no good) will be displayed on the screen.

<Inspection items (test)>

1. SRAM (IC926, IC927) ↔ CPU connection check
2. SLOT ↔ CPU
3. SLOT clock relationship connection check
4. SLOT power supply peripheral check
5. WORD CLOCK IN terminal/JK901 ↔ CPU connection check

If the four items shown above are OK,

```
DIAGNOSIS RESULT    OK
DA824_DIAG>
```

appears on the screen and the program ends. If one of the items is NG,

```
DIAGNOSIS RESULT    NG
ERROR LIST
[2] SLOT DATA BUS      XXXX XXXX XXXX XXXX
   SLOT ADDR BUS       XXX XXXX XXX
      .
      .
```

appears and the error list is shown.

[ERROR LIST]

```
[1] SRAM DATA BUS      XXXX XXXX XXXX XXXX
   SRAM ADDR BUS       XXXX XXXX XXXX XXX
```

Results of SRAM (IC926, IC927) and CPU connection check

The first line on the screen shows the condition at the address bus from the left A15, A14 . . . A2, A1 (as viewed from the CPU)

The second line on the screen shows the condition at the data bus from the left D15, D14 . . . D1, D0.

```
[2] SLOT DATA BUS      XXXX XXXX XXXX XXXX
   SLOT ADDR BUS       XXX XXXX XXX
   SLOT CONTROL        XXXX
```

SLOT and CPU connection check

The first line on the screen shows the condition at the data bus from the left D15, D14 . . . D1, D0.

The second line on the screen shows the condition at the address bus from the left A15, A14 . . . A2, A1.

The third line on the screen shown the condition at other control lines from the left /CON-MY, /IRQ-MY, RX-MY, TX-MY.

For each item, an "0" is used to indicate normal and "X" is used to indicate an abnormality.

```
[3] SLOT CLOCK          XXX XXXX
```

Connection check of slot clock line

The condition is shown from the left as 256FS-MY, 128FS-MY, 64FS-MY, SYNC-MY, FS-MY, WCLK-MY.

For each item, an "0" is used to indicate normal and "X" is used to indicate an abnormality.

```
[4] SLOT +20D
   SLOT +5D
   SLOT -5A
   SLOT +5A
   SLOT -15A
   SLOT +15A
```

Slot power supply peripheral connection check

Only the NG systems from the test results will be shown on the screen.

[5] WC BNC

Displayed on the screen when the results of the word clock IN terminal/ JK901 and CPU connection are NG.

4. Manual inspections

In addition to the automatic tests, the residual noise is measured.

1. Measurement conditions

- 0 dBu=0.775 Vrms
- The input Impedances of the oscilloscope and the level meter should be more than 100 k ohms.
- The measurement is corrected by 12.7 kHz, -6 dB/OCT LPF.
- The load for output 1 to 8 is 600 ohms.
- Output 1 to 8 is measured at the cannon connector.
- The internal gain SW is +18 dB.
- Word clock in 75 ohms is set to on.
- Input the signal only into the channel being measured.

2. Measuring method

In the test program mode, a digital 0 will be output from the slot test jig when the following command is executed. In this state, a level gauge is used to measure residual noise. Check that the permissible range is less than -92 dBu.

```
DA824_DIAG>zero
DA824_DIAG>
```

5. System reset

```
DA824_DIAG>reset
The system is reset.
```

When in the test program mode, entering “reset” and executing the program will reset the system.

■ FLASH ROM UPGRADE

The DA824 is equipped with flash memory (MAIN:IC919). The software in the flash memory can be upgraded from the COM terminal. Upgrades can also be performed from a Windows PC using the dedicated software.

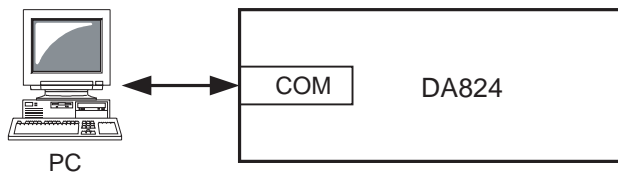
When the power is turned on, a check is made to confirm that the system program is in the flash memory. If the proper system is present, it is executed. If the program is not present, or if there is an error, the program boot mode is entered automatically.

* Warning*

When the inspection is jig inserted in the slot, the program cannot be loaded. Check that the inspection jig has been removed from the slot before performing the upgrade.

1. Connection

Connect the PC and DA824 COM terminals by Dsub 9 pin serial cross cables.



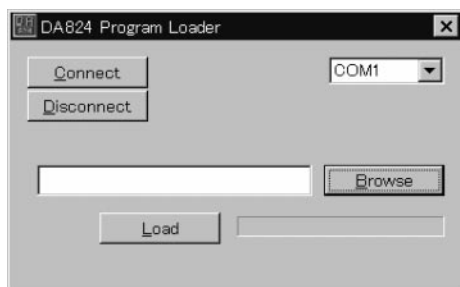
2. Software

LoadDA824/V1.0 is used as the software. When the folder is open, three files are displayed on the screen: LoadDA824.exe, TimeStamp.exe and 02rv2.dll. The two files requiring an upgrade are LoadDA824.exe and 02rv2.dll.



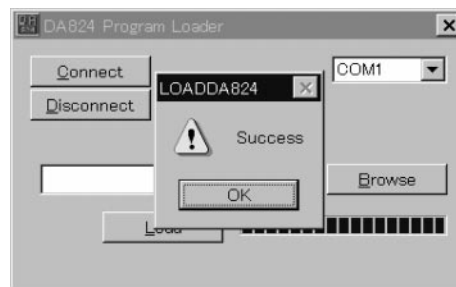
2-1. Start the software

Click on LoadDA824.exe. The program will start and the following screen will be displayed. (The dialog box can be used to switch the COM terminal connection.)



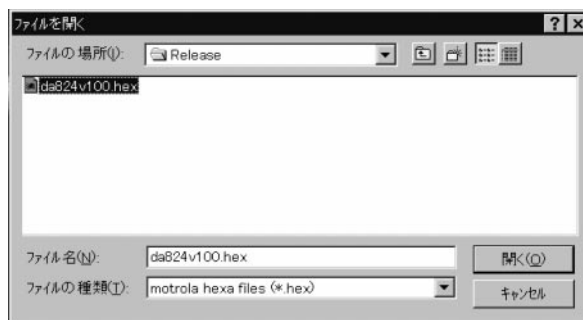
2-2. Connection with DA824

Click the [Connect] switch and the DA824 program is loaded. The commands are sent and if the connection is successful, the following message will appear. Click "OK" and LOCK LED and POWER LED on the DA824 will flash alternately.



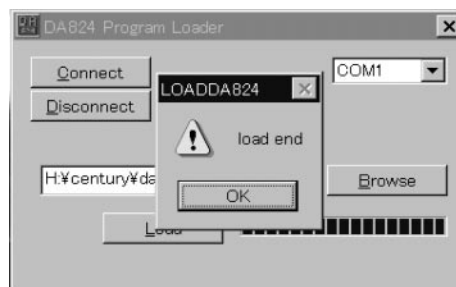
2-3. Reading the files to be loaded

Click the [Browse] switch and the following window will open. Designate the files to be loaded to the DA824 and click the [Open] switch.



2-4. Loading the program

Click the [Load] switch and the program will start to load. When completed, the following message will be displayed. Moreover, [Dev1] is placed in the upper center of the dialog box.



2-5. Others

Click the [Disconnect] switch to reset the DA824 to the regular mode.

DA CONVERTER

DA 824

PARTS LIST


■ CONTENTS

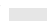
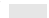
| | |
|---------------------------|------|
| OVERALL ASSEMBLY..... | 2 |
| FRONT PANEL ASSEMBLY..... | 4 |
| REAR PANEL ASSEMBLY..... | 5 |
| DC ASSEMBLY..... | 6 |
| ELECTRICAL PARTS..... | 7-21 |

Notes: DESTINATION ABBREVIATIONS

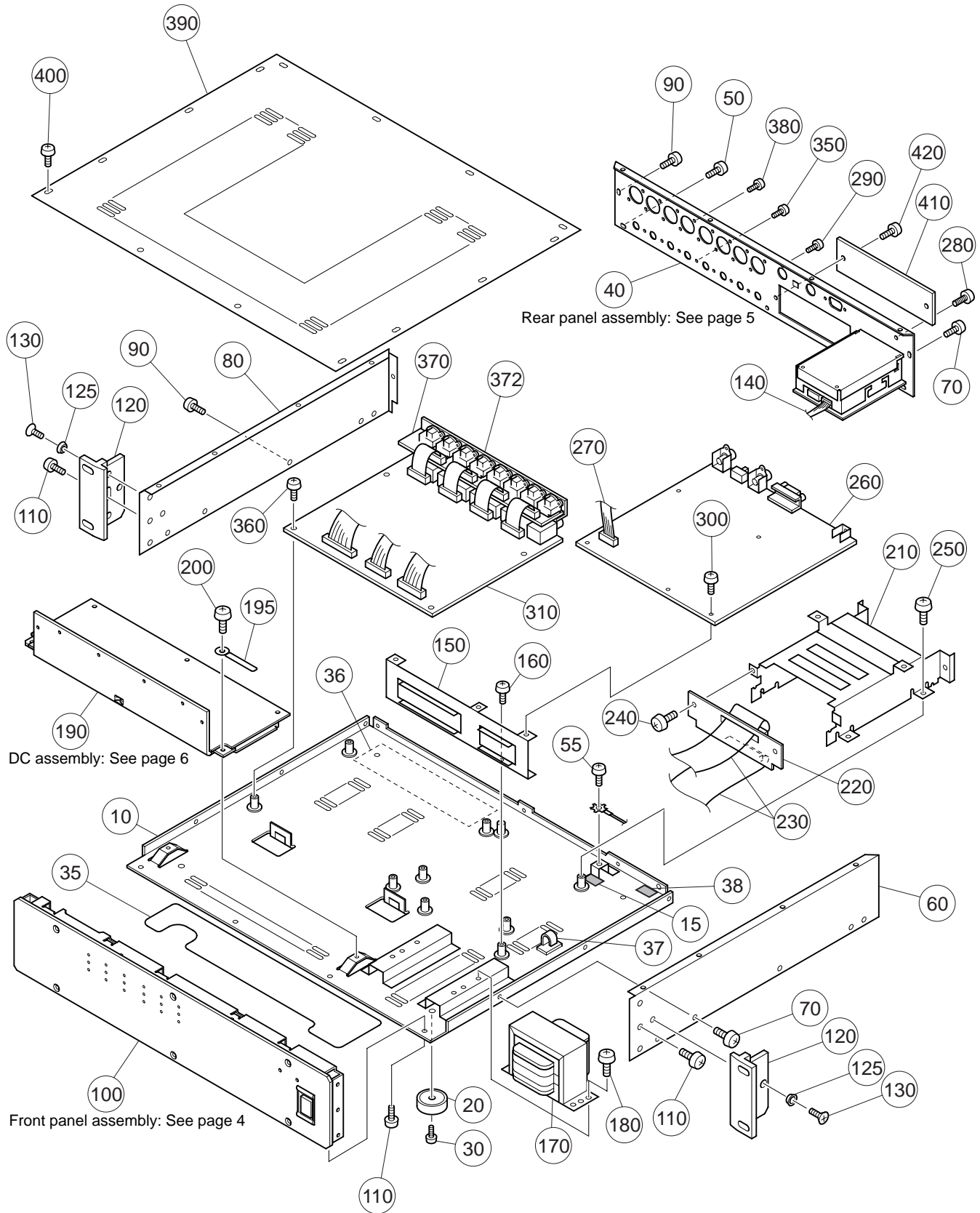
| | |
|-------------------------|---------------------------------|
| A: Australian model | M: South African model |
| B: British model | O: Chinese model |
| C: Canadian model | Q: South-east Asia model |
| D: German model | T: Taiwan model |
| E: European model | U: U.S.A. model |
| F: French model | V: General export model (110 V) |
| H: North European model | W: General export model (220 V) |
| I: Indonesian model | N,X: General export model |
| J: Japanese model | Y: Export model |

■ WARNING

Components having special characteristics are marked  and must be replaced with parts having specification equal to those originally installed.

- The numbers in “QTY” show quantities for each unit.
- The parts with “- -” in “PART NO.” are not available as spare parts.
- The mark “}” in the remarks column indicates that these parts are interchangeable.
- The second letter of the shaded () part number is O, not zero.
- The second letter of the shaded () part number is I, not one.

OVERALL ASSEMBLY

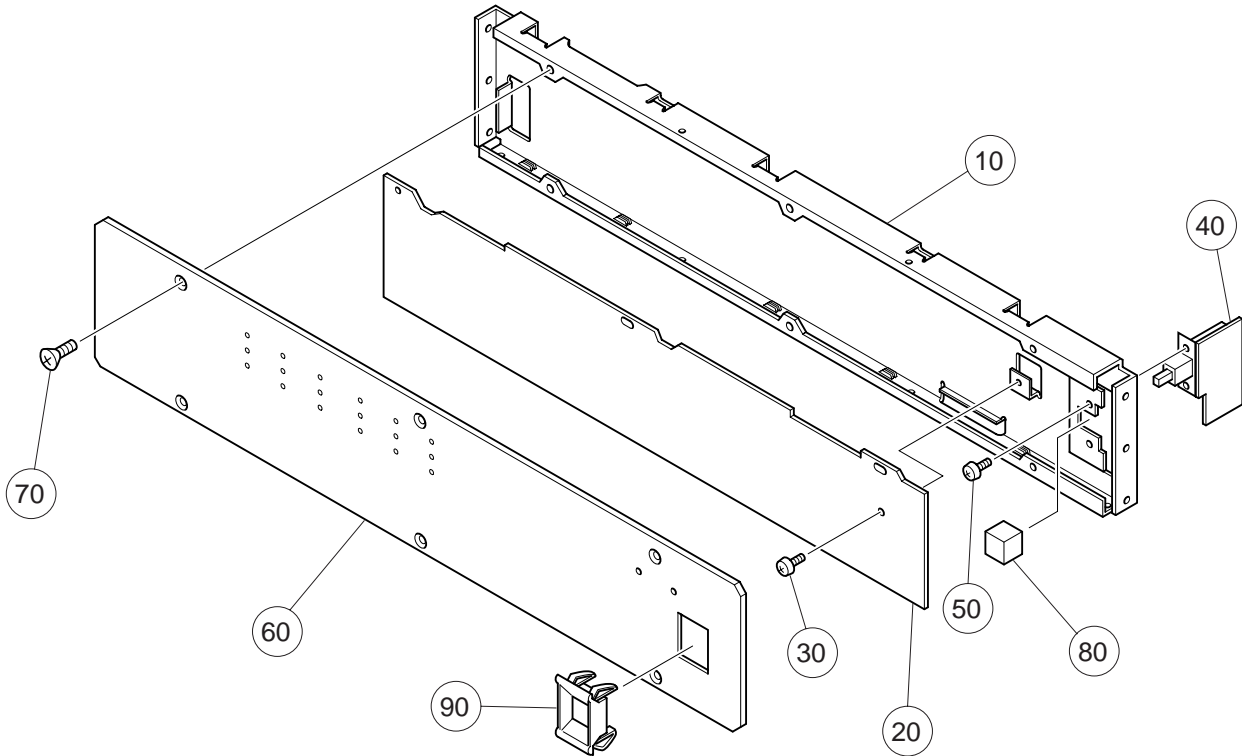


| REF.NO. | PART NO. | DESCRIPTION | | REMARKS | QTY | RANK |
|---------|----------|---------------------------|-----------------|---------------------|-----|------|
| | | OVERALL ASSEMBLY | | DA824 | | |
| | -- | Overall Assembly | | J (V536450) | | |
| | -- | Overall Assembly | | U,V (V536470) | | |
| | -- | Overall Assembly | | H,W (V536480) | | |
| | -- | Overall Assembly | | B (V536490) | | |
| * 10 | V4067500 | Bottom Chassis | | | | |
| 15 | -- | Label | | H,W,B (V567270) | | |
| 20 | CB806590 | Leg | BL | | 4 | 03 |
| 30 | VR138400 | Bind Head Tapping Screw-B | 4.0X12 MFZN2BL | | 4 | 01 |
| 35 | -- | Protection Sheet | | (V553110) | | |
| 36 | -- | Label | CAUTION | U,V,H,W,B (V533520) | | |
| 37 | CB095100 | Cord Keep | K-103G | U (VA03930) | | |
| 38 | -- | Label | | | | |
| 40 | -- | Rear Panel Assembly | | J (V545160) | | |
| 40 | -- | Rear Panel Assembly | | U,V (V545170) | | |
| 40 | -- | Rear Panel Assembly | | H,W (V545180) | | |
| 40 | -- | Rear Panel Assembly | | B (V545190) | | |
| 50 | VC688800 | Bind Head Tapping Screw-B | A4.0X8 MFZN2BL | | 4 | 01 |
| 55 | EG340360 | Bind Head Screw | 4.0X8 MFZN2BL | U,V,H,W,B | | 01 |
| 60 | V4068400 | Side Panel | RIGHT | | | 10 |
| 70 | VC688800 | Bind Head Tapping Screw-B | A4.0X8 MFZN2BL | | 4 | 01 |
| 80 | V4605100 | Side Panel | LEFT | | | 10 |
| 90 | VC688800 | Bind Head Tapping Screw-B | A4.0X8 MFZN2BL | | 4 | 01 |
| 100 | -- | Front Panel Assembly | | J,U,V (V545270) | | |
| 100 | -- | Front Panel Assembly | | H,W,B (V561280) | | |
| 110 | VC688800 | Bind Head Tapping Screw-B | A4.0X8 MFZN2BL | | 6 | 01 |
| 120 | V4705100 | Rack Mount Angle | | | 2 | 08 |
| * 125 | V6161200 | Toothed Lock Washer | 4.0 MFZN2BL | | 6 | |
| 130 | VS153600 | Oval Head Screw | 4.0X8 MFZN2BL | | 6 | 01 |
| 140 | -- | Connector Assembly | AC-SW VH- 3P | (V545950) | | |
| 150 | -- | PCB Support | | (V527400) | | |
| 160 | VN413300 | Bonding Tapping Screw-B | 3.0X8 MFZN2BL | | 2 | 01 |
| △* 170 | XY176A00 | Power Transformer | J A | | | 11 |
| △* 170 | XY177A00 | Power Transformer | UL,CSA A | U,V | | 11 |
| △* 170 | XY178B00 | Power Transformer | CEE A | H,W,B | | 11 |
| 180 | VC688800 | Bind Head Tapping Screw-B | A4.0X8 MFZN2BL | | 4 | 01 |
| * 190 | V5452300 | DC Assembly | | J,U,V | | |
| * 190 | V5452500 | DC Assembly | | H,W,B | | |
| 195 | CB817510 | Cord Binder | S-14B | | | 03 |
| 200 | VC688800 | Bind Head Tapping Screw-B | A4.0X8 MFZN2BL | | 2 | 01 |
| * 210 | V4093800 | Support, OPT | | | | |
| * 220 | V5462700 | Circuit Board | MYSL | | | |
| 230 | VZ746000 | Cable, FFC | P=1.25-K-36-200 | | 2 | 03 |
| 240 | EG340360 | Bind Head Screw | 4.0X8 MFZN2BL | | 2 | 01 |
| 250 | VN413300 | Bonding Tapping Screw-B | 3.0X8 MFZN2BL | | 4 | 01 |
| * 260 | V5462900 | Circuit Board | MAIN | | | |
| 280 | VS154500 | Bonding Screw | 4.0X8 MFZN2BL | | | 01 |
| 290 | VS863000 | Bonding Screw | 3.0X6 MFZN2BL | | 2 | 01 |
| 300 | EP600230 | Bind Head Tapping Screw-B | 3.0X6 MFZN2BL | | 5 | 01 |
| * 310 | V5462500 | Circuit Board | DA | | | |
| 350 | VN413300 | Bonding Tapping Screw-B | 3.0X8 MFZN2BL | | 6 | 01 |
| 360 | EP600230 | Bind Head Tapping Screw-B | 3.0X6 MFZN2BL | | 4 | 01 |
| * 370 | V5462600 | Circuit Board | JK | | | |
| * 372 | V6009000 | Ground Film, DA | | | | |
| 380 | VN413300 | Bonding Tapping Screw-B | 3.0X8 MFZN2BL | | 16 | 01 |
| * 390 | V5202400 | Top Cover | | | | |
| 400 | VC688800 | Bind Head Tapping Screw-B | A4.0X8 MFZN2BL | | 14 | 01 |
| 410 | VZ678500 | IF Plate | | | | 05 |
| 420 | VP156900 | Bind Head Screw | A4.0X12 MFZN2BL | | 2 | 01 |

*: New Parts

RANK: Japan only

FRONT PANEL ASSEMBLY

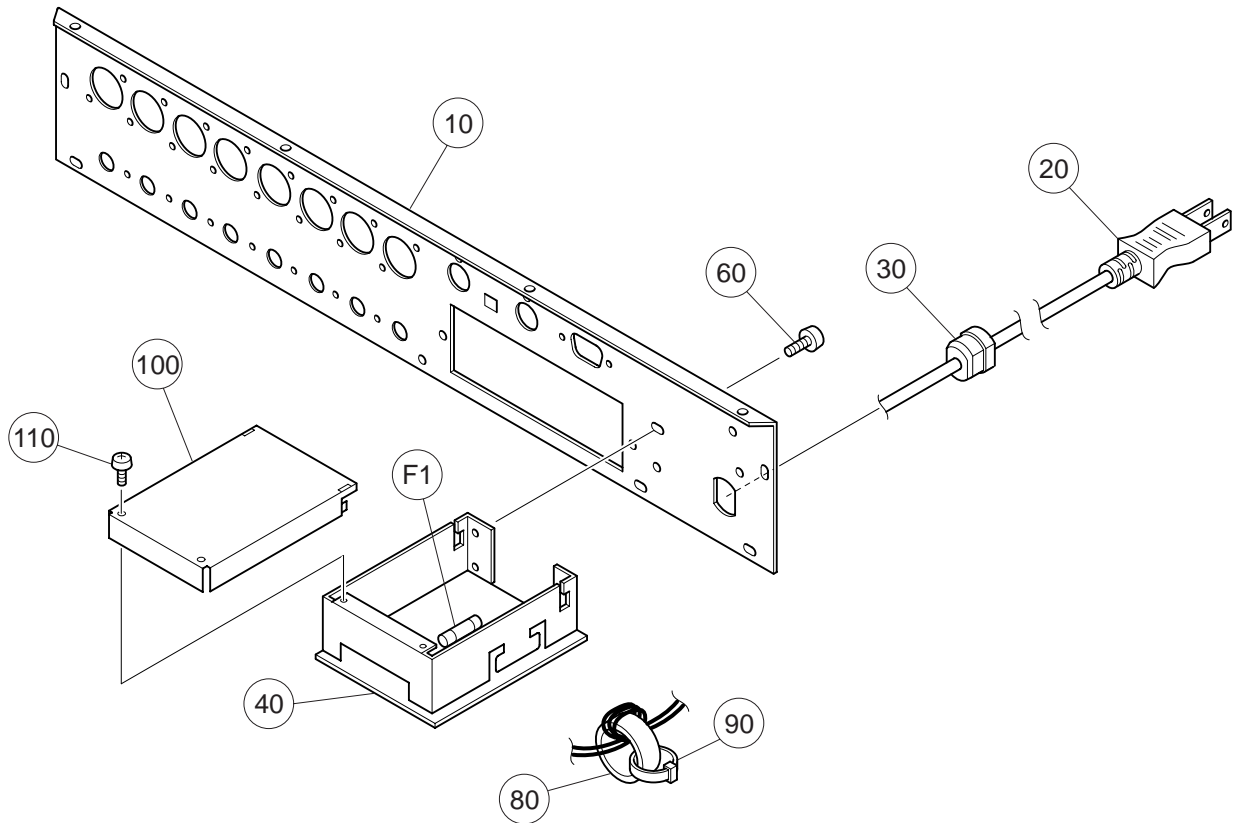


| REF.NO. | PART NO. | DESCRIPTION | | REMARKS | QTY | RANK |
|---------|----------|---------------------------|---------------|-----------------|-----|------|
| | -- | FRONT PANEL ASSEMBLY | | DA824 | | |
| | -- | Front Panel Assembly | | J,U,V (V545270) | | |
| | -- | Front Panel Assembly | | H,W,B (V561280) | | |
| * 10 | V4067800 | Sub Chassis | | | | |
| * 20 | V4854600 | Circuit Board | PN | | | |
| 30 | EP600230 | Bind Head Tapping Screw-B | 3.0X6 MFZN2BL | | 4 | 01 |
| * 40 | V4855300 | Circuit Board | SW | J,U,V | | |
| * 40 | V4855700 | Circuit Board | SW | H,W,B | | |
| 50 | VS863000 | Bonding Screw | 3.0X6 MFZN2BL | | 2 | 01 |
| * 60 | V4106600 | Front Panel | | | | |
| 70 | VS153600 | Oval Head Screw | 4.0X8 MFZN2BL | | 6 | 01 |
| 80 | VL812900 | Power Switch Knob | | POWER ON/OFF | | 03 |
| 90 | VL813000 | Escutcheon, Power Switch | | | | 03 |

*: New Parts

RANK: Japan only

REAR PANEL ASSEMBLY

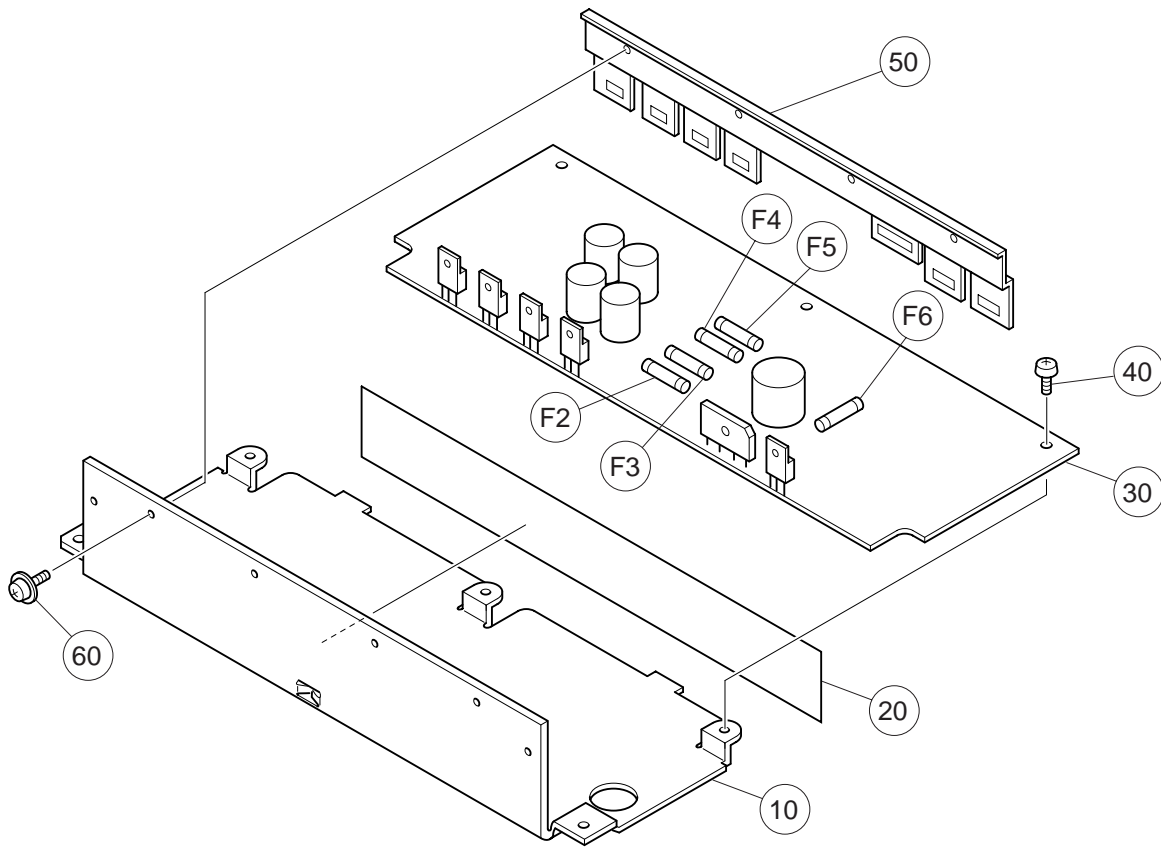


| REF.NO. | PART NO. | DESCRIPTION | | REMARKS | QTY | RANK |
|---------|----------|---------------------|---------------------------|------------------|-------|------|
| | | REAR PANEL ASSEMBLY | | DA824 | | |
| | -- | Rear Panel Assembly | | J (V545160) | | |
| | -- | Rear Panel Assembly | | U,V (V545170) | | |
| | -- | Rear Panel Assembly | | H,W (V545180) | | |
| | -- | Rear Panel Assembly | | B (V545190) | | |
| * | 10 | V6035200 | Rear Panel | DA | | |
| * | 10 | V5254400 | Rear Panel | DA | | |
| * | 10 | V5254500 | Rear Panel | DA | | |
| △ | 20 | VS228900 | AC Cord Assembly | 2P 15A 2.1m | | 09 |
| △ | 20 | VS229000 | AC Cord Assembly | 3P 10A 2.5m | | 10 |
| △ | 20 | VS229100 | AC Cord Assembly | 3P 6A 2.5m | | 10 |
| △ | 20 | VS229200 | AC Cord Assembly | 3P 10A 2.5m | | 11 |
| | 30 | CB806850 | Cord Strain Relief | SR-6N3-4 | | 02 |
| | 30 | CB811230 | Cord Strain Relief | SR-6N-4 | | 02 |
| | 30 | CB032840 | Cord Strain Relief | SR-5N-4 | | 03 |
| * | 40 | V4855100 | Circuit Board | AC | | |
| * | 40 | V4855500 | Circuit Board | AC | | |
| | 60 | VC688800 | Bind Head Tapping Screw-B | A4.0X8 MFZN2BL | | 3 01 |
| | 70 | EG340360 | Bind Head Screw | 4.0X8 MFZN2BL | | 01 |
| | 80 | VC362700 | Ferrite Core | FR25/15/12-1400L | | 04 |
| | 90 | CB069250 | Cord Holder | BK-1 | | 01 |
| * | 100 | V5274400 | AC Shield Cover | | | |
| | 110 | VN413300 | Bonding Tapping Screw-B | 3.0X8 MFZN2BL | | 2 01 |
| △ | F1 | KB003570 | Fuse | 2.00A JU 250V | J,U,V | 01 |
| △ | F1 | KB003040 | Fuse | 1.00A S 250V | H,W,B | 01 |

*: New Parts

RANK: Japan only

DC ASSEMBLY



| REF.NO. | PART NO. | DESCRIPTION | | REMARKS | QTY | RANK |
|---------|----------|-------------|-------------------------|-----------------|-----------|------|
| * | | DC ASSEMBLY | | DA824 | | |
| * | V5452300 | DC Assembly | | J,U,V | | |
| * | V5452500 | DC Assembly | | H,W,B | | |
| | 10 | -- | Heat Sink | (V406870) | | |
| * | 20 | V4068800 | Insulation Sheet | | | |
| * | 30 | V4855200 | Circuit Board | DC | J,U,V | |
| * | 30 | V4855600 | Circuit Board | DC | H,W,B | |
| | 40 | VN413300 | Bonding Tapping Screw-B | 3.0X8 MFZN2BL | | 3 01 |
| | 50 | -- | Holder, Transistor | | (V406820) | |
| | 60 | EL200020 | Pan Head Screw | SP 4.0X8 MFZN2Y | | 4 01 |
| △ | F2 | KB003560 | Fuse | 1.60A JU | J,U,V | 01 |
| △ | F2 | KB003060 | Fuse | 1.60A S | H,W,B | 01 |
| △ | F3 | KB003560 | Fuse | 1.60A JU | J,U,V | 01 |
| △ | F3 | KB003060 | Fuse | 1.60A S | H,W,B | 01 |
| △ | F4 | KB003570 | Fuse | 2.00A JU | J,U,V | 01 |
| △ | F4 | KB003070 | Fuse | 2.00A S | H,W,B | 01 |
| △ | F5 | KB003570 | Fuse | 2.00A JU | J,U,V | 01 |
| △ | F5 | KB003070 | Fuse | 2.00A S | H,W,B | 01 |
| △ | F6 | KB003620 | Fuse | 4.00A JU 125V | J,U,V | 01 |
| △ | F6 | KB003100 | Fuse | 4.00A S 250V | H,W,B | 01 |

*: New Parts

RANK: Japan only

ELECTRICAL PARTS

| REF.NO. | PART NO. | DESCRIPTION | | REMARKS | QTY | RANK |
|---------|----------|---------------------|--------------------|-----------------|-----|------|
| | | ELECTRICAL PARTS | | DA824 | | |
| * | V4855100 | Circuit Board | AC | J,U,V (XY031C0) | | |
| * | V4855500 | Circuit Board | AC | H,W,B (XY032C0) | | |
| * | V4855200 | Circuit Board | DC | J,U,V (XY031C0) | | |
| * | V4855600 | Circuit Board | DC | H,W,B (XY032C0) | | |
| * | V4855300 | Circuit Board | SW | J,U,V (XY031C0) | | |
| * | V4855700 | Circuit Board | SW | H,W,B (XY032C0) | | |
| * | V5462500 | Circuit Board | DA | (XY035B0) | | |
| * | V5462600 | Circuit Board | JK | (XY035B0) | | |
| * | V5462900 | Circuit Board | MAIN | (XY036B0) | | |
| * | V5462700 | Circuit Board | MYSL | (XY036B0) | | |
| * | V4854600 | Circuit Board | PN | (XY034A0) | | |
| * | V4855100 | Circuit Board | AC | J,U,V (XY031C0) | | |
| * | V4855500 | Circuit Board | AC | H,W,B (XY032C0) | | |
| * | V4855200 | Circuit Board | DC | J,U,V (XY031C0) | | |
| * | V4855600 | Circuit Board | DC | H,W,B (XY032C0) | | |
| * | V4855300 | Circuit Board | SW | J,U,V (XY031C0) | | |
| * | V4855700 | Circuit Board | SW | H,W,B (XY032C0) | | |
| * | V5273900 | AC Shield Plate | | | | |
| | VA078900 | Jumper Wire | 0.55 | | 54 | |
| △ C1 | V3311600 | Capacitor | 0.010 250V J.U.C.S | | | 01 |
| △ C2 | V5170300 | Capacitor | 0.220 275V U.C.S | | | 01 |
| C3 | VS589000 | Ceramic Capacitor-E | 4700P 500V M | | | 01 |
| -8 | VS589000 | Ceramic Capacitor-E | 4700P 500V M | | | 01 |
| C11 | VS589000 | Ceramic Capacitor-E | 4700P 500V M | | | 01 |
| -16 | VS589000 | Ceramic Capacitor-E | 4700P 500V M | | | 01 |
| C19 | UR867100 | Electrolytic Cap. | 10.00 50.0V | | | 01 |
| C20 | UR659220 | Electrolytic Cap. | 2200 35.0V | | | 02 |
| C21 | UR659220 | Electrolytic Cap. | 2200 35.0V | | | 02 |
| C22 | UR639470 | Electrolytic Cap. | 4700 16.0V | | | 02 |
| C23 | UR639470 | Electrolytic Cap. | 4700 16.0V | | | 02 |
| C24 | VT947800 | Electrolytic Cap. | 10000 16 USP | | | 04 |
| C27 | UR838100 | Electrolytic Cap. | 100.00 16.0V | | | 01 |
| C28 | UA355100 | Mylar Capacitor | 0.1000 50V J | | | 01 |
| -31 | UA355100 | Mylar Capacitor | 0.1000 50V J | | | 01 |
| C33 | UA355100 | Mylar Capacitor | 0.1000 50V J | | | 01 |
| C36 | UR857470 | Electrolytic Cap. | 47.00 35.0V | | | 01 |
| C37 | UR858100 | Electrolytic Cap. | 100.00 35.0V | | | 01 |
| C38 | UR858100 | Electrolytic Cap. | 100.00 35.0V | | | 01 |
| C39 | UR838100 | Electrolytic Cap. | 100.00 16.0V | | | 01 |
| C40 | UR838100 | Electrolytic Cap. | 100.00 16.0V | | | 01 |
| C42 | UR838100 | Electrolytic Cap. | 100.00 16.0V | | | 01 |
| CN1 | LB932030 | Base Post Connector | VH 3P TE | | | 01 |
| -3 | LB933030 | Base Post Connector | VH 3P SE | | | 01 |
| CN4 | LB933040 | Base Post Connector | VH 4P SE | | | 01 |
| CN5 | LB932060 | Base Post Connector | VH 6P TE | | | 01 |
| CN6 | LB932050 | Base Post Connector | VH 5P TE | | | 01 |
| CN8 | VK025700 | Wire Trap | 52147 13P TE | | | 01 |
| CN9 | VF728200 | Wire Trap | 52147 10P TE | | | 01 |
| CN10 | VK024900 | Wire Trap | 52147 5P TE | | | 01 |
| CN11 | VK025700 | Wire Trap | 52147 13P TE | | | 01 |
| D1 | VB481900 | Diode | 11ES4 | | | 01 |
| -3 | VB481900 | Diode | 11ES4 | | | 01 |
| D5 | VB481900 | Diode | 11ES4 | | | 01 |
| -9 | VB481900 | Diode | 11ES4 | | | 01 |
| D11 | VB481900 | Diode | 11ES4 | | | 01 |
| -15 | VB481900 | Diode | 11ES4 | | | 01 |
| D17 | VB481900 | Diode | 11ES4 | | | 01 |
| DB1 | VN011300 | Diode Stack | D3SBA20 4.0A 200V | | | 03 |
| -3 | VN011300 | Diode Stack | D3SBA20 4.0A 200V | | | 03 |
| EM2 | FZ006970 | LC Filter | LS MT Y223NB | | | 02 |
| EM3 | FZ006970 | LC Filter | LS MT Y223NB | | | 02 |
| EM5 | FZ006970 | LC Filter | LS MT Y223NB | | | 02 |
| EM6 | FZ006970 | LC Filter | LS MT Y223NB | | | 02 |
| EM8 | FZ006970 | LC Filter | LS MT Y223NB | | | 02 |
| EM10 | FZ006970 | LC Filter | LS MT Y223NB | | | 02 |
| -12 | FZ006970 | LC Filter | LS MT Y223NB | | | 02 |
| EM14 | FZ006970 | LC Filter | LS MT Y223NB | | | 02 |
| -18 | FZ006970 | LC Filter | LS MT Y223NB | | | 02 |

*: New Parts

RANK: Japan only

| REF.NO. | PART NO. | DESCRIPTION | | REMARKS | QTY | RANK |
|------------|----------|---------------------------|--------------------|---------------------|-----|------|
| FZ1 | VP206500 | Fuse Holder | EYF-52BC | | | 01 |
| -6 | VP206500 | Fuse Holder | EYF-52BC | | | 01 |
| IC1 | XJ603A00 | IC | NJM78M15FA | REGULATOR +15V 0.5A | | 02 |
| IC2 | XG505A00 | IC | NJM79M15FA | REGULATOR -15V | | 03 |
| IC3 | XR607A00 | IC | UPC2405AHF | REGULATOR +5V | | 04 |
| IC4 | XK309A00 | IC | NJM7905FA | REGULATOR -5V | | 03 |
| IC6 | XH672A00 | IC | PQ05RF2 | REGULATOR +5V 2A | | 04 |
| IC7 | XD631A00 | IC | PST518B-TP | SYSTEM RESET | | 02 |
| J3 | VA078900 | Jumper Wire | 0.55 | | | |
| J5 | VA078900 | Jumper Wire | 0.55 | | | |
| K1 | BB069510 | Land Terminal | #6951 A-8 | | | 01 |
| -3 | BB069510 | Land Terminal | #6951 A-8 | | | 01 |
| △ L1 | VQ764500 | Line Filter | PLAC1522R0R01B1 | | | 03 |
| R1 | HV756150 | Flame Proof C. Resistor | 1.5K 1/4 J | | | 01 |
| R2 | VC747900 | Metal Oxide Film Resistor | 1.5K 1W J | | | 01 |
| R3 | HF757680 | Carbon Resistor | 68.0K 1/4 J | | | 01 |
| R6 | HV754680 | Flame Proof C. Resistor | 68.0 1/4 J | | | 01 |
| R7 | HF756470 | Carbon Resistor | 4.7K 1/4 J | | | 01 |
| R11 | HF756470 | Carbon Resistor | 4.7K 1/4 J | | | 01 |
| R12 | HF757100 | Carbon Resistor | 10.0K 1/4 J | | | 01 |
| -15 | HF757100 | Carbon Resistor | 10.0K 1/4 J | | | 01 |
| R17 | HF757100 | Carbon Resistor | 10.0K 1/4 J | | | 01 |
| R22 | HF757100 | Carbon Resistor | 10.0K 1/4 J | | | 01 |
| R23 | HF757100 | Carbon Resistor | 10.0K 1/4 J | | | 01 |
| R26 | HF758100 | Carbon Resistor | 100.0K 1/4 J | | | 01 |
| R27 | HF756470 | Carbon Resistor | 4.7K 1/4 J | | | 01 |
| R28 | VC747900 | Metal Oxide Film Resistor | 1.5K 1W J | | | 01 |
| △ SW1 | V3127000 | Push Switch | ESB92S23B J.U.C.S | POWER ON/OFF | | 02 |
| TR3 | VK432900 | Transistor | 2SD1915(F) S,T | | | |
| * TR5 | VV911300 | Digital Transistor | DTA114TSA-TP | | | 01 |
| TR8 | IA101590 | Transistor | 2SA1015 O,Y | | | 01 |
| ZD4 | VQ552200 | Zener Diode | MTZJ2.7B 2.7V | | | 01 |
| * V5462500 | V5462500 | Circuit Board | DA | (XY035B0) | | |
| * V5462600 | V5462600 | Circuit Board | JK | (XY035B0) | | |
| * V5274300 | V5274300 | Jack Holder | | | | |
| * C1 | V5829200 | Electrolytic Cap. (chip) | 100 20V 20SG100M+T | | | |
| * -4 | V5829200 | Electrolytic Cap. (chip) | 100 20V 20SG100M+T | | | |
| C6 | UB245100 | Monolithic Ceramic Cap. | F 0.100 25V Z | | | 01 |
| C7 | UU167100 | Electrolytic Cap. | 10.00 50.0V | | | |
| C8 | UB245100 | Monolithic Ceramic Cap. | F 0.100 25V Z | | | 01 |
| C9 | UU167100 | Electrolytic Cap. | 10.00 50.0V | | | |
| C10 | UB245100 | Monolithic Ceramic Cap. | F 0.100 25V Z | | | 01 |
| C11 | UU167100 | Electrolytic Cap. | 10.00 50.0V | | | |
| C12 | UB245100 | Monolithic Ceramic Cap. | F 0.100 25V Z | | | 01 |
| C13 | UU167100 | Electrolytic Cap. | 10.00 50.0V | | | |
| C14 | UB245100 | Monolithic Ceramic Cap. | F 0.100 25V Z | | | 01 |
| C15 | UB245100 | Monolithic Ceramic Cap. | F 0.100 25V Z | | | 01 |
| C16 | UU167100 | Electrolytic Cap. | 10.00 50.0V | | | |
| C17 | UB245100 | Monolithic Ceramic Cap. | F 0.100 25V Z | | | 01 |
| C18 | UB245100 | Monolithic Ceramic Cap. | F 0.100 25V Z | | | 01 |
| C19 | UU167100 | Electrolytic Cap. | 10.00 50.0V | | | |
| C20 | UU167100 | Electrolytic Cap. | 10.00 50.0V | | | |
| C21 | UB245100 | Monolithic Ceramic Cap. | F 0.100 25V Z | | | 01 |
| C22 | UU167100 | Electrolytic Cap. | 10.00 50.0V | | | |
| C23 | UB245100 | Monolithic Ceramic Cap. | F 0.100 25V Z | | | 01 |
| C24 | UB245100 | Monolithic Ceramic Cap. | F 0.100 25V Z | | | 01 |
| C25 | UU167100 | Electrolytic Cap. | 10.00 50.0V | | | |
| C26 | UU167100 | Electrolytic Cap. | 10.00 50.0V | | | |
| C27 | UB245100 | Monolithic Ceramic Cap. | F 0.100 25V Z | | | 01 |
| C28 | UU167100 | Electrolytic Cap. | 10.00 50.0V | | | |
| C29 | UB245100 | Monolithic Ceramic Cap. | F 0.100 25V Z | | | 01 |
| C30 | UB245100 | Monolithic Ceramic Cap. | F 0.100 25V Z | | | 01 |
| C31 | UU167100 | Electrolytic Cap. | 10.00 50.0V | | | |
| C32 | UU167100 | Electrolytic Cap. | 10.00 50.0V | | | |
| C33 | UB245100 | Monolithic Ceramic Cap. | F 0.100 25V Z | | | 01 |
| C34 | UU167100 | Electrolytic Cap. | 10.00 50.0V | | | |
| C35 | UB245100 | Monolithic Ceramic Cap. | F 0.100 25V Z | | | 01 |
| C36 | UB245100 | Monolithic Ceramic Cap. | F 0.100 25V Z | | | 01 |
| C37 | UU167100 | Electrolytic Cap. | 10.00 50.0V | | | |

*: New Parts

RANK: Japan only

| REF NO. | PART NO. | DESCRIPTION | | REMARKS | QTY | RANK |
|---------|----------|-------------------------|---------------|---------|-----|------|
| C38 | UU167100 | Electrolytic Cap. | 10.00 50.0V | | | |
| C39 | UB245100 | Monolithic Ceramic Cap. | F 0.100 25V Z | | | 01 |
| -42 | UB245100 | Monolithic Ceramic Cap. | F 0.100 25V Z | | | 01 |
| C43 | UB245220 | Monolithic Ceramic Cap. | F 0.220 25V Z | | | 01 |
| -46 | UB245220 | Monolithic Ceramic Cap. | F 0.220 25V Z | | | 01 |
| C103 | UB051330 | Monolithic Ceramic Cap. | SL 33P 50V J | | | 01 |
| C104 | UB051330 | Monolithic Ceramic Cap. | SL 33P 50V J | | | 01 |
| C105 | UA353680 | Mylar Capacitor | 6800P 50V J | | | 01 |
| C106 | UA353300 | Mylar Capacitor | 3000P 50V J | | | 01 |
| C107 | UB044100 | Monolithic Ceramic Cap. | F 0.010 50V Z | | | 01 |
| C108 | UB044100 | Monolithic Ceramic Cap. | F 0.010 50V Z | | | 01 |
| C109 | UB052220 | Monolithic Ceramic Cap. | SL 220P 50V J | | | 01 |
| C111 | UB044100 | Monolithic Ceramic Cap. | F 0.010 50V Z | | | 01 |
| -114 | UB044100 | Monolithic Ceramic Cap. | F 0.010 50V Z | | | 01 |
| C115 | UB051330 | Monolithic Ceramic Cap. | SL 33P 50V J | | | 01 |
| C116 | UB051330 | Monolithic Ceramic Cap. | SL 33P 50V J | | | 01 |
| C117 | UU168100 | Electrolytic Cap. | 100.00 50V | | | |
| C118 | UU168100 | Electrolytic Cap. | 100.00 50V | | | |
| C203 | UB051330 | Monolithic Ceramic Cap. | SL 33P 50V J | | | 01 |
| C204 | UB051330 | Monolithic Ceramic Cap. | SL 33P 50V J | | | 01 |
| C205 | UA353680 | Mylar Capacitor | 6800P 50V J | | | 01 |
| C206 | UA353300 | Mylar Capacitor | 3000P 50V J | | | 01 |
| C207 | UB044100 | Monolithic Ceramic Cap. | F 0.010 50V Z | | | 01 |
| C208 | UB044100 | Monolithic Ceramic Cap. | F 0.010 50V Z | | | 01 |
| C209 | UB052220 | Monolithic Ceramic Cap. | SL 220P 50V J | | | 01 |
| C211 | UB044100 | Monolithic Ceramic Cap. | F 0.010 50V Z | | | 01 |
| -214 | UB044100 | Monolithic Ceramic Cap. | F 0.010 50V Z | | | 01 |
| C215 | UB051330 | Monolithic Ceramic Cap. | SL 33P 50V J | | | 01 |
| C216 | UB051330 | Monolithic Ceramic Cap. | SL 33P 50V J | | | 01 |
| C217 | UU168100 | Electrolytic Cap. | 100.00 50V | | | |
| C218 | UU168100 | Electrolytic Cap. | 100.00 50V | | | |
| C303 | UB051330 | Monolithic Ceramic Cap. | SL 33P 50V J | | | 01 |
| C304 | UB051330 | Monolithic Ceramic Cap. | SL 33P 50V J | | | 01 |
| C305 | UA353680 | Mylar Capacitor | 6800P 50V J | | | 01 |
| C306 | UA353300 | Mylar Capacitor | 3000P 50V J | | | 01 |
| C307 | UB044100 | Monolithic Ceramic Cap. | F 0.010 50V Z | | | 01 |
| C308 | UB044100 | Monolithic Ceramic Cap. | F 0.010 50V Z | | | 01 |
| C309 | UB052220 | Monolithic Ceramic Cap. | SL 220P 50V J | | | 01 |
| C311 | UB044100 | Monolithic Ceramic Cap. | F 0.010 50V Z | | | 01 |
| -314 | UB044100 | Monolithic Ceramic Cap. | F 0.010 50V Z | | | 01 |
| C315 | UB051330 | Monolithic Ceramic Cap. | SL 33P 50V J | | | 01 |
| C316 | UB051330 | Monolithic Ceramic Cap. | SL 33P 50V J | | | 01 |
| C317 | UU168100 | Electrolytic Cap. | 100.00 50V | | | |
| C318 | UU168100 | Electrolytic Cap. | 100.00 50V | | | |
| C403 | UB051330 | Monolithic Ceramic Cap. | SL 33P 50V J | | | 01 |
| C404 | UB051330 | Monolithic Ceramic Cap. | SL 33P 50V J | | | 01 |
| C405 | UA353680 | Mylar Capacitor | 6800P 50V J | | | 01 |
| C406 | UA353300 | Mylar Capacitor | 3000P 50V J | | | 01 |
| C407 | UB044100 | Monolithic Ceramic Cap. | F 0.010 50V Z | | | 01 |
| C408 | UB044100 | Monolithic Ceramic Cap. | F 0.010 50V Z | | | 01 |
| C409 | UB052220 | Monolithic Ceramic Cap. | SL 220P 50V J | | | 01 |
| C411 | UB044100 | Monolithic Ceramic Cap. | F 0.010 50V Z | | | 01 |
| -414 | UB044100 | Monolithic Ceramic Cap. | F 0.010 50V Z | | | 01 |
| C415 | UB051330 | Monolithic Ceramic Cap. | SL 33P 50V J | | | 01 |
| C416 | UB051330 | Monolithic Ceramic Cap. | SL 33P 50V J | | | 01 |
| C417 | UU168100 | Electrolytic Cap. | 100.00 50V | | | |
| C418 | UU168100 | Electrolytic Cap. | 100.00 50V | | | |
| C503 | UB051330 | Monolithic Ceramic Cap. | SL 33P 50V J | | | 01 |
| C504 | UB051330 | Monolithic Ceramic Cap. | SL 33P 50V J | | | 01 |
| C505 | UA353680 | Mylar Capacitor | 6800P 50V J | | | 01 |
| C506 | UA353300 | Mylar Capacitor | 3000P 50V J | | | 01 |
| C507 | UB044100 | Monolithic Ceramic Cap. | F 0.010 50V Z | | | 01 |
| C508 | UB044100 | Monolithic Ceramic Cap. | F 0.010 50V Z | | | 01 |
| C509 | UB052220 | Monolithic Ceramic Cap. | SL 220P 50V J | | | 01 |
| C511 | UB044100 | Monolithic Ceramic Cap. | F 0.010 50V Z | | | 01 |
| -514 | UB044100 | Monolithic Ceramic Cap. | F 0.010 50V Z | | | 01 |
| C515 | UB051330 | Monolithic Ceramic Cap. | SL 33P 50V J | | | 01 |
| C516 | UB051330 | Monolithic Ceramic Cap. | SL 33P 50V J | | | 01 |
| C517 | UU168100 | Electrolytic Cap. | 100.00 50V | | | |
| C518 | UU168100 | Electrolytic Cap. | 100.00 50V | | | |

*: New Parts

RANK: Japan only

| REF.NO. | PART NO. | DESCRIPTION | | REMARKS | QTY | RANK |
|---------|----------|-------------------------|----------------|-------------|-----|------|
| C603 | UB051330 | Monolithic Ceramic Cap. | SL 33P 50V J | | | 01 |
| C604 | UB051330 | Monolithic Ceramic Cap. | SL 33P 50V J | | | 01 |
| C605 | UA353680 | Mylar Capacitor | 6800P 50V J | | | 01 |
| C606 | UA353300 | Mylar Capacitor | 3000P 50V J | | | 01 |
| C607 | UB044100 | Monolithic Ceramic Cap. | F 0.010 50V Z | | | 01 |
| C608 | UB044100 | Monolithic Ceramic Cap. | F 0.010 50V Z | | | 01 |
| C609 | UB052220 | Monolithic Ceramic Cap. | SL 220P 50V J | | | 01 |
| C611 | UB044100 | Monolithic Ceramic Cap. | F 0.010 50V Z | | | 01 |
| -614 | UB044100 | Monolithic Ceramic Cap. | F 0.010 50V Z | | | 01 |
| C615 | UB051330 | Monolithic Ceramic Cap. | SL 33P 50V J | | | 01 |
| C616 | UB051330 | Monolithic Ceramic Cap. | SL 33P 50V J | | | 01 |
| C617 | UU168100 | Electrolytic Cap. | 100.00 50V | | | |
| C618 | UU168100 | Electrolytic Cap. | 100.00 50V | | | |
| C703 | UB051330 | Monolithic Ceramic Cap. | SL 33P 50V J | | | 01 |
| C704 | UB051330 | Monolithic Ceramic Cap. | SL 33P 50V J | | | 01 |
| C705 | UA353680 | Mylar Capacitor | 6800P 50V J | | | 01 |
| C706 | UA353300 | Mylar Capacitor | 3000P 50V J | | | 01 |
| C707 | UB044100 | Monolithic Ceramic Cap. | F 0.010 50V Z | | | 01 |
| C708 | UB044100 | Monolithic Ceramic Cap. | F 0.010 50V Z | | | 01 |
| C709 | UB052220 | Monolithic Ceramic Cap. | SL 220P 50V J | | | 01 |
| C711 | UB044100 | Monolithic Ceramic Cap. | F 0.010 50V Z | | | 01 |
| -714 | UB044100 | Monolithic Ceramic Cap. | F 0.010 50V Z | | | 01 |
| C715 | UB051330 | Monolithic Ceramic Cap. | SL 33P 50V J | | | 01 |
| C716 | UB051330 | Monolithic Ceramic Cap. | SL 33P 50V J | | | 01 |
| C717 | UU168100 | Electrolytic Cap. | 100.00 50V | | | |
| C718 | UU168100 | Electrolytic Cap. | 100.00 50V | | | |
| C803 | UB051330 | Monolithic Ceramic Cap. | SL 33P 50V J | | | 01 |
| C804 | UB051330 | Monolithic Ceramic Cap. | SL 33P 50V J | | | 01 |
| C805 | UA353680 | Mylar Capacitor | 6800P 50V J | | | 01 |
| C806 | UA353300 | Mylar Capacitor | 3000P 50V J | | | 01 |
| C807 | UB044100 | Monolithic Ceramic Cap. | F 0.010 50V Z | | | 01 |
| C808 | UB044100 | Monolithic Ceramic Cap. | F 0.010 50V Z | | | 01 |
| C809 | UB052220 | Monolithic Ceramic Cap. | SL 220P 50V J | | | 01 |
| C811 | UB044100 | Monolithic Ceramic Cap. | F 0.010 50V Z | | | 01 |
| -814 | UB044100 | Monolithic Ceramic Cap. | F 0.010 50V Z | | | 01 |
| C815 | UB051330 | Monolithic Ceramic Cap. | SL 33P 50V J | | | 01 |
| C816 | UB051330 | Monolithic Ceramic Cap. | SL 33P 50V J | | | 01 |
| C817 | UU168100 | Electrolytic Cap. | 100.00 50V | | | |
| C818 | UU168100 | Electrolytic Cap. | 100.00 50V | | | |
| CN1 | VI879100 | Wire Trap | 51048 13P TE | | | |
| CN2 | VJ861600 | Wire Trap | 52147 16P TE | | | 01 |
| CN3 | VI879400 | Wire Trap | 51048 16P TE | | | |
| CN101 | VI878700 | Wire Trap | 51048 9P TE | | | |
| CN102 | VK025300 | Wire Trap | 52147 9P TE | | | 01 |
| CN301 | VI878700 | Wire Trap | 51048 9P TE | | | |
| CN302 | VK025300 | Wire Trap | 52147 9P TE | | | 01 |
| CN501 | VI878700 | Wire Trap | 51048 9P TE | | | |
| CN502 | VK025300 | Wire Trap | 52147 9P TE | | | 01 |
| CN701 | VI878700 | Wire Trap | 51048 9P TE | | | |
| CN702 | VK025300 | Wire Trap | 52147 9P TE | | | 01 |
| EM001 | FZ006970 | LC Filter | LS MT Y223NB | | | 02 |
| -004 | FZ006970 | LC Filter | LS MT Y223NB | | | 02 |
| EM101 | FZ006920 | LC Filter | LS MT B271KB | | | 01 |
| EM102 | FZ006920 | LC Filter | LS MT B271KB | | | 01 |
| EM201 | FZ006920 | LC Filter | LS MT B271KB | | | 01 |
| EM202 | FZ006920 | LC Filter | LS MT B271KB | | | 01 |
| EM301 | FZ006920 | LC Filter | LS MT B271KB | | | 01 |
| EM302 | FZ006920 | LC Filter | LS MT B271KB | | | 01 |
| EM401 | FZ006920 | LC Filter | LS MT B271KB | | | 01 |
| EM402 | FZ006920 | LC Filter | LS MT B271KB | | | 01 |
| EM501 | FZ006920 | LC Filter | LS MT B271KB | | | 01 |
| EM502 | FZ006920 | LC Filter | LS MT B271KB | | | 01 |
| EM601 | FZ006920 | LC Filter | LS MT B271KB | | | 01 |
| EM602 | FZ006920 | LC Filter | LS MT B271KB | | | 01 |
| EM701 | FZ006920 | LC Filter | LS MT B271KB | | | 01 |
| EM702 | FZ006920 | LC Filter | LS MT B271KB | | | 01 |
| EM801 | FZ006920 | LC Filter | LS MT B271KB | | | 01 |
| EM802 | FZ006920 | LC Filter | LS MT B271KB | | | 01 |
| IC1 | IS024500 | IC | HD74LV245AFPEL | TRANSCEIVER | | 02 |
| * IC2 | XW029A00 | IC | AK4393-VF-E2 | DAC | | 07 |

*: New Parts

RANK: Japan only

| REF.NO. | PART NO. | DESCRIPTION | | REMARKS | QTY | RANK |
|---------|----------|------------------------|-----------------|-----------------|-----|------|
| * -5 | XW029A00 | IC | AK4393-VF-E2 | DAC | | 07 |
| IC6 | XJ598A00 | IC | NJM78L05UA | REGULATOR +5V | | 02 |
| -9 | XJ598A00 | IC | NJM78L05UA | REGULATOR +5V | | 02 |
| IC101 | XJ553A00 | IC | NJM2068MD-T1 | OP AMP | | 02 |
| IC102 | XJ553A00 | IC | NJM2068MD-T1 | OP AMP | | 02 |
| IC103 | XP844A00 | IC | NJM4556AL | OP AMP | | 02 |
| IC201 | XJ553A00 | IC | NJM2068MD-T1 | OP AMP | | 02 |
| IC202 | XJ553A00 | IC | NJM2068MD-T1 | OP AMP | | 02 |
| IC203 | XP844A00 | IC | NJM4556AL | OP AMP | | 02 |
| IC301 | XJ553A00 | IC | NJM2068MD-T1 | OP AMP | | 02 |
| IC302 | XJ553A00 | IC | NJM2068MD-T1 | OP AMP | | 02 |
| IC303 | XP844A00 | IC | NJM4556AL | OP AMP | | 02 |
| IC401 | XJ553A00 | IC | NJM2068MD-T1 | OP AMP | | 02 |
| IC402 | XJ553A00 | IC | NJM2068MD-T1 | OP AMP | | 02 |
| IC403 | XP844A00 | IC | NJM4556AL | OP AMP | | 02 |
| IC501 | XJ553A00 | IC | NJM2068MD-T1 | OP AMP | | 02 |
| IC502 | XJ553A00 | IC | NJM2068MD-T1 | OP AMP | | 02 |
| IC503 | XP844A00 | IC | NJM4556AL | OP AMP | | 02 |
| IC601 | XJ553A00 | IC | NJM2068MD-T1 | OP AMP | | 02 |
| IC602 | XJ553A00 | IC | NJM2068MD-T1 | OP AMP | | 02 |
| IC603 | XP844A00 | IC | NJM4556AL | OP AMP | | 02 |
| IC701 | XJ553A00 | IC | NJM2068MD-T1 | OP AMP | | 02 |
| IC702 | XJ553A00 | IC | NJM2068MD-T1 | OP AMP | | 02 |
| IC703 | XP844A00 | IC | NJM4556AL | OP AMP | | 02 |
| IC801 | XJ553A00 | IC | NJM2068MD-T1 | OP AMP | | 02 |
| IC802 | XJ553A00 | IC | NJM2068MD-T1 | OP AMP | | 02 |
| IC803 | XP844A00 | IC | NJM4556AL | OP AMP | | 02 |
| JK101 | VS133700 | XLM Connector | NC3MAH | OUTPUT(BAL) 1CH | | 04 |
| JK102 | LB301920 | Phone Jack | HLJ4306 STEREO | OUTPUT(BAL) 1CH | | 02 |
| JK201 | VS133700 | XLM Connector | NC3MAH | OUTPUT(BAL) 2CH | | 04 |
| JK202 | LB301920 | Phone Jack | HLJ4306 STEREO | OUTPUT(BAL) 2CH | | 02 |
| JK301 | VS133700 | XLM Connector | NC3MAH | OUTPUT(BAL) 3CH | | 04 |
| JK302 | LB301920 | Phone Jack | HLJ4306 STEREO | OUTPUT(BAL) 3CH | | 02 |
| JK401 | VS133700 | XLM Connector | NC3MAH | OUTPUT(BAL) 4CH | | 04 |
| JK402 | LB301920 | Phone Jack | HLJ4306 STEREO | OUTPUT(BAL) 4CH | | 02 |
| JK501 | VS133700 | XLM Connector | NC3MAH | OUTPUT(BAL) 5CH | | 04 |
| JK502 | LB301920 | Phone Jack | HLJ4306 STEREO | OUTPUT(BAL) 5CH | | 02 |
| JK601 | VS133700 | XLM Connector | NC3MAH | OUTPUT(BAL) 6CH | | 04 |
| JK602 | LB301920 | Phone Jack | HLJ4306 STEREO | OUTPUT(BAL) 6CH | | 02 |
| JK701 | VS133700 | XLM Connector | NC3MAH | OUTPUT(BAL) 7CH | | 04 |
| JK702 | LB301920 | Phone Jack | HLJ4306 STEREO | OUTPUT(BAL) 7CH | | 02 |
| JK801 | VS133700 | XLM Connector | NC3MAH | OUTPUT(BAL) 8CH | | 04 |
| JK802 | LB301920 | Phone Jack | HLJ4306 STEREO | OUTPUT(BAL) 8CH | | 02 |
| L1 | VS740100 | Chip Inductance | BLM21B751S 2125 | | | 03 |
| -8 | VS740100 | Chip Inductance | BLM21B751S 2125 | | | 03 |
| R1 | RD255100 | Carbon Resistor (chip) | 100.0 0.1 J | | | 01 |
| -8 | RD255100 | Carbon Resistor (chip) | 100.0 0.1 J | | | 01 |
| R10 | RD250000 | Carbon Resistor (chip) | 0.0 0.0 J | | | 01 |
| R12 | RD250000 | Carbon Resistor (chip) | 0.0 0.0 J | | | 01 |
| R14 | RD250000 | Carbon Resistor (chip) | 0.0 0.0 J | | | 01 |
| R16 | RD250000 | Carbon Resistor (chip) | 0.0 0.0 J | | | 01 |
| * R101 | VC327600 | Metal Film Resistor | 3.3K 1/4 F | | | 01 |
| * R102 | VC327600 | Metal Film Resistor | 3.3K 1/4 F | | | 01 |
| * R103 | VC329200 | Metal Film Resistor | 15.0K 1/4 F | | | 01 |
| * R104 | VC329200 | Metal Film Resistor | 15.0K 1/4 F | | | 01 |
| R105 | HF754390 | Carbon Resistor | 39.0 1/4 J | | | 01 |
| R106 | VC326500 | Metal Film Resistor | 1.0K 1/4 F | | | 01 |
| R107 | VC326500 | Metal Film Resistor | 1.0K 1/4 F | | | 01 |
| R108 | VC327200 | Metal Film Resistor | 2.2K 1/4 F | | | 01 |
| R109 | VC328000 | Metal Film Resistor | 4.7K 1/4 F | | | 01 |
| * R110 | VC328500 | Metal Film Resistor | 7.5K 1/4 F | | | 01 |
| * R111 | VC330500 | Metal Film Resistor | 51.0K 1/4 F | | | 01 |
| R112 | VC329600 | Metal Film Resistor | 22.0K 1/4 F | | | 01 |
| * R113 | VC327100 | Metal Film Resistor | 2.0K 1/4 F | | | 01 |
| * R114 | VC327100 | Metal Film Resistor | 2.0K 1/4 F | | | 01 |
| R115 | HF754390 | Carbon Resistor | 39.0 1/4 J | | | 01 |
| R116 | RD258100 | Carbon Resistor (chip) | 100.0K 0.1 J | | | 01 |
| R117 | VC328800 | Metal Film Resistor | 10.0K 1/4 F | | | 01 |
| R118 | VC328800 | Metal Film Resistor | 10.0K 1/4 F | | | 01 |
| R119 | VC328900 | Metal Film Resistor | 11.0K 1/4 F | | | 01 |

*: New Parts

RANK: Japan only

| REF NO. | PART NO. | DESCRIPTION | | REMARKS | QTY | RANK |
|---------|----------|------------------------|--------------|---------|-----|------|
| R120 | VC328800 | Metal Film Resistor | 10.0K 1/4 F | | | 01 |
| R121 | VC329500 | Metal Film Resistor | 20.0K 1/4 F | | | 01 |
| R122 | VC329500 | Metal Film Resistor | 20.0K 1/4 F | | | 01 |
| R123 | VC329400 | Metal Film Resistor | 18.0K 1/4 F | | | 01 |
| R124 | VC329400 | Metal Film Resistor | 18.0K 1/4 F | | | 01 |
| R125 | HF754750 | Carbon Resistor | 75.0 1/4 J | | | 01 |
| R126 | HF754750 | Carbon Resistor | 75.0 1/4 J | | | 01 |
| R127 | RD258100 | Carbon Resistor (chip) | 100.0K 0.1 J | | | 01 |
| R128 | RD258100 | Carbon Resistor (chip) | 100.0K 0.1 J | | | 01 |
| R129 | RD257100 | Carbon Resistor (chip) | 10.0K 0.1 J | | | 01 |
| R130 | RD257100 | Carbon Resistor (chip) | 10.0K 0.1 J | | | 01 |
| * R201 | VC327600 | Metal Film Resistor | 3.3K 1/4 F | | | 01 |
| * R202 | VC327600 | Metal Film Resistor | 3.3K 1/4 F | | | 01 |
| * R203 | VC329200 | Metal Film Resistor | 15.0K 1/4 F | | | 01 |
| * R204 | VC329200 | Metal Film Resistor | 15.0K 1/4 F | | | 01 |
| R205 | HF754390 | Carbon Resistor | 39.0 1/4 J | | | 01 |
| R206 | VC326500 | Metal Film Resistor | 1.0K 1/4 F | | | 01 |
| R207 | VC326500 | Metal Film Resistor | 1.0K 1/4 F | | | 01 |
| R208 | VC327200 | Metal Film Resistor | 2.2K 1/4 F | | | 01 |
| R209 | VC328000 | Metal Film Resistor | 4.7K 1/4 F | | | 01 |
| * R210 | VC328500 | Metal Film Resistor | 7.5K 1/4 F | | | 01 |
| * R211 | VC330500 | Metal Film Resistor | 51.0K 1/4 F | | | 01 |
| R212 | VC329600 | Metal Film Resistor | 22.0K 1/4 F | | | 01 |
| * R213 | VC327100 | Metal Film Resistor | 2.0K 1/4 F | | | 01 |
| * R214 | VC327100 | Metal Film Resistor | 2.0K 1/4 F | | | 01 |
| R215 | HF754390 | Carbon Resistor | 39.0 1/4 J | | | 01 |
| R216 | RD258100 | Carbon Resistor (chip) | 100.0K 0.1 J | | | 01 |
| R217 | VC328800 | Metal Film Resistor | 10.0K 1/4 F | | | 01 |
| R218 | VC328800 | Metal Film Resistor | 10.0K 1/4 F | | | 01 |
| R219 | VC328900 | Metal Film Resistor | 11.0K 1/4 F | | | 01 |
| R220 | VC328800 | Metal Film Resistor | 10.0K 1/4 F | | | 01 |
| R221 | VC329500 | Metal Film Resistor | 20.0K 1/4 F | | | 01 |
| R222 | VC329500 | Metal Film Resistor | 20.0K 1/4 F | | | 01 |
| R223 | VC329400 | Metal Film Resistor | 18.0K 1/4 F | | | 01 |
| R224 | VC329400 | Metal Film Resistor | 18.0K 1/4 F | | | 01 |
| R225 | HF754750 | Carbon Resistor | 75.0 1/4 J | | | 01 |
| R226 | HF754750 | Carbon Resistor | 75.0 1/4 J | | | 01 |
| R227 | RD258100 | Carbon Resistor (chip) | 100.0K 0.1 J | | | 01 |
| R228 | RD258100 | Carbon Resistor (chip) | 100.0K 0.1 J | | | 01 |
| R229 | RD257100 | Carbon Resistor (chip) | 10.0K 0.1 J | | | 01 |
| R230 | RD257100 | Carbon Resistor (chip) | 10.0K 0.1 J | | | 01 |
| * R301 | VC327600 | Metal Film Resistor | 3.3K 1/4 F | | | 01 |
| * R302 | VC327600 | Metal Film Resistor | 3.3K 1/4 F | | | 01 |
| * R303 | VC329200 | Metal Film Resistor | 15.0K 1/4 F | | | 01 |
| * R304 | VC329200 | Metal Film Resistor | 15.0K 1/4 F | | | 01 |
| R305 | HF754390 | Carbon Resistor | 39.0 1/4 J | | | 01 |
| R306 | VC326500 | Metal Film Resistor | 1.0K 1/4 F | | | 01 |
| R307 | VC326500 | Metal Film Resistor | 1.0K 1/4 F | | | 01 |
| R308 | VC327200 | Metal Film Resistor | 2.2K 1/4 F | | | 01 |
| R309 | VC328000 | Metal Film Resistor | 4.7K 1/4 F | | | 01 |
| * R310 | VC328500 | Metal Film Resistor | 7.5K 1/4 F | | | 01 |
| * R311 | VC330500 | Metal Film Resistor | 51.0K 1/4 F | | | 01 |
| R312 | VC329600 | Metal Film Resistor | 22.0K 1/4 F | | | 01 |
| * R313 | VC327100 | Metal Film Resistor | 2.0K 1/4 F | | | 01 |
| * R314 | VC327100 | Metal Film Resistor | 2.0K 1/4 F | | | 01 |
| R315 | HF754390 | Carbon Resistor | 39.0 1/4 J | | | 01 |
| R316 | RD258100 | Carbon Resistor (chip) | 100.0K 0.1 J | | | 01 |
| R317 | VC328800 | Metal Film Resistor | 10.0K 1/4 F | | | 01 |
| R318 | VC328800 | Metal Film Resistor | 10.0K 1/4 F | | | 01 |
| R319 | VC328900 | Metal Film Resistor | 11.0K 1/4 F | | | 01 |
| R320 | VC328800 | Metal Film Resistor | 10.0K 1/4 F | | | 01 |
| R321 | VC329500 | Metal Film Resistor | 20.0K 1/4 F | | | 01 |
| R322 | VC329500 | Metal Film Resistor | 20.0K 1/4 F | | | 01 |
| R323 | VC329400 | Metal Film Resistor | 18.0K 1/4 F | | | 01 |
| R324 | VC329400 | Metal Film Resistor | 18.0K 1/4 F | | | 01 |
| R325 | HF754750 | Carbon Resistor | 75.0 1/4 J | | | 01 |
| R326 | HF754750 | Carbon Resistor | 75.0 1/4 J | | | 01 |
| R327 | RD258100 | Carbon Resistor (chip) | 100.0K 0.1 J | | | 01 |
| R328 | RD258100 | Carbon Resistor (chip) | 100.0K 0.1 J | | | 01 |
| R329 | RD257100 | Carbon Resistor (chip) | 10.0K 0.1 J | | | 01 |

*: New Parts

RANK: Japan only

| REF NO. | PART NO. | DESCRIPTION | | REMARKS | QTY | RANK |
|---------|----------|------------------------|--------------|---------|-----|------|
| R330 | RD257100 | Carbon Resistor (chip) | 10.0K 0.1 J | | | 01 |
| * R401 | VC327600 | Metal Film Resistor | 3.3K 1/4 F | | | 01 |
| * R402 | VC327600 | Metal Film Resistor | 3.3K 1/4 F | | | 01 |
| * R403 | VC329200 | Metal Film Resistor | 15.0K 1/4 F | | | 01 |
| * R404 | VC329200 | Metal Film Resistor | 15.0K 1/4 F | | | 01 |
| R405 | HF754390 | Carbon Resistor | 39.0 1/4 J | | | 01 |
| R406 | VC326500 | Metal Film Resistor | 1.0K 1/4 F | | | 01 |
| R407 | VC326500 | Metal Film Resistor | 1.0K 1/4 F | | | 01 |
| R408 | VC327200 | Metal Film Resistor | 2.2K 1/4 F | | | 01 |
| R409 | VC328000 | Metal Film Resistor | 4.7K 1/4 F | | | 01 |
| * R410 | VC328500 | Metal Film Resistor | 7.5K 1/4 F | | | 01 |
| * R411 | VC330500 | Metal Film Resistor | 51.0K 1/4 F | | | 01 |
| R412 | VC329600 | Metal Film Resistor | 22.0K 1/4 F | | | 01 |
| * R413 | VC327100 | Metal Film Resistor | 2.0K 1/4 F | | | 01 |
| * R414 | VC327100 | Metal Film Resistor | 2.0K 1/4 F | | | 01 |
| R415 | HF754390 | Carbon Resistor | 39.0 1/4 J | | | 01 |
| R416 | RD258100 | Carbon Resistor (chip) | 100.0K 0.1 J | | | 01 |
| R417 | VC328800 | Metal Film Resistor | 10.0K 1/4 F | | | 01 |
| R418 | VC328800 | Metal Film Resistor | 10.0K 1/4 F | | | 01 |
| R419 | VC328900 | Metal Film Resistor | 11.0K 1/4 F | | | 01 |
| R420 | VC328800 | Metal Film Resistor | 10.0K 1/4 F | | | 01 |
| R421 | VC329500 | Metal Film Resistor | 20.0K 1/4 F | | | 01 |
| R422 | VC329500 | Metal Film Resistor | 20.0K 1/4 F | | | 01 |
| R423 | VC329400 | Metal Film Resistor | 18.0K 1/4 F | | | 01 |
| R424 | VC329400 | Metal Film Resistor | 18.0K 1/4 F | | | 01 |
| R425 | HF754750 | Carbon Resistor | 75.0 1/4 J | | | 01 |
| R426 | HF754750 | Carbon Resistor | 75.0 1/4 J | | | 01 |
| R427 | RD258100 | Carbon Resistor (chip) | 100.0K 0.1 J | | | 01 |
| R428 | RD258100 | Carbon Resistor (chip) | 100.0K 0.1 J | | | 01 |
| R429 | RD257100 | Carbon Resistor (chip) | 10.0K 0.1 J | | | 01 |
| R430 | RD257100 | Carbon Resistor (chip) | 10.0K 0.1 J | | | 01 |
| * R501 | VC327600 | Metal Film Resistor | 3.3K 1/4 F | | | 01 |
| * R502 | VC327600 | Metal Film Resistor | 3.3K 1/4 F | | | 01 |
| * R503 | VC329200 | Metal Film Resistor | 15.0K 1/4 F | | | 01 |
| * R504 | VC329200 | Metal Film Resistor | 15.0K 1/4 F | | | 01 |
| R505 | HF754390 | Carbon Resistor | 39.0 1/4 J | | | 01 |
| R506 | VC326500 | Metal Film Resistor | 1.0K 1/4 F | | | 01 |
| R507 | VC326500 | Metal Film Resistor | 1.0K 1/4 F | | | 01 |
| R508 | VC327200 | Metal Film Resistor | 2.2K 1/4 F | | | 01 |
| R509 | VC328000 | Metal Film Resistor | 4.7K 1/4 F | | | 01 |
| * R510 | VC328500 | Metal Film Resistor | 7.5K 1/4 F | | | 01 |
| * R511 | VC330500 | Metal Film Resistor | 51.0K 1/4 F | | | 01 |
| R512 | VC329600 | Metal Film Resistor | 22.0K 1/4 F | | | 01 |
| * R513 | VC327100 | Metal Film Resistor | 2.0K 1/4 F | | | 01 |
| * R514 | VC327100 | Metal Film Resistor | 2.0K 1/4 F | | | 01 |
| R515 | HF754390 | Carbon Resistor | 39.0 1/4 J | | | 01 |
| R516 | RD258100 | Carbon Resistor (chip) | 100.0K 0.1 J | | | 01 |
| R517 | VC328800 | Metal Film Resistor | 10.0K 1/4 F | | | 01 |
| R518 | VC328800 | Metal Film Resistor | 10.0K 1/4 F | | | 01 |
| R519 | VC328900 | Metal Film Resistor | 11.0K 1/4 F | | | 01 |
| R520 | VC328800 | Metal Film Resistor | 10.0K 1/4 F | | | 01 |
| R521 | VC329500 | Metal Film Resistor | 20.0K 1/4 F | | | 01 |
| R522 | VC329500 | Metal Film Resistor | 20.0K 1/4 F | | | 01 |
| R523 | VC329400 | Metal Film Resistor | 18.0K 1/4 F | | | 01 |
| R524 | VC329400 | Metal Film Resistor | 18.0K 1/4 F | | | 01 |
| R525 | HF754750 | Carbon Resistor | 75.0 1/4 J | | | 01 |
| R526 | HF754750 | Carbon Resistor | 75.0 1/4 J | | | 01 |
| R527 | RD258100 | Carbon Resistor (chip) | 100.0K 0.1 J | | | 01 |
| R528 | RD258100 | Carbon Resistor (chip) | 100.0K 0.1 J | | | 01 |
| R529 | RD257100 | Carbon Resistor (chip) | 10.0K 0.1 J | | | 01 |
| R530 | RD257100 | Carbon Resistor (chip) | 10.0K 0.1 J | | | 01 |
| * R601 | VC327600 | Metal Film Resistor | 3.3K 1/4 F | | | 01 |
| * R602 | VC327600 | Metal Film Resistor | 3.3K 1/4 F | | | 01 |
| * R603 | VC329200 | Metal Film Resistor | 15.0K 1/4 F | | | 01 |
| * R604 | VC329200 | Metal Film Resistor | 15.0K 1/4 F | | | 01 |
| R605 | HF754390 | Carbon Resistor | 39.0 1/4 J | | | 01 |
| R606 | VC326500 | Metal Film Resistor | 1.0K 1/4 F | | | 01 |
| R607 | VC326500 | Metal Film Resistor | 1.0K 1/4 F | | | 01 |
| R608 | VC327200 | Metal Film Resistor | 2.2K 1/4 F | | | 01 |
| R609 | VC328000 | Metal Film Resistor | 4.7K 1/4 F | | | 01 |

*: New Parts

RANK: Japan only

| REF NO. | PART NO. | DESCRIPTION | | REMARKS | QTY | RANK |
|---------|----------|------------------------|--------------|---------|-----|------|
| * R610 | VC328500 | Metal Film Resistor | 7.5K 1/4 F | | | 01 |
| * R611 | VC330500 | Metal Film Resistor | 51.0K 1/4 F | | | 01 |
| R612 | VC329600 | Metal Film Resistor | 22.0K 1/4 F | | | 01 |
| * R613 | VC327100 | Metal Film Resistor | 2.0K 1/4 F | | | 01 |
| * R614 | VC327100 | Metal Film Resistor | 2.0K 1/4 F | | | 01 |
| R615 | HF754390 | Carbon Resistor | 39.0 1/4 J | | | 01 |
| R616 | RD258100 | Carbon Resistor (chip) | 100.0K 0.1 J | | | 01 |
| R617 | VC328800 | Metal Film Resistor | 10.0K 1/4 F | | | 01 |
| R618 | VC328800 | Metal Film Resistor | 10.0K 1/4 F | | | 01 |
| R619 | VC328900 | Metal Film Resistor | 11.0K 1/4 F | | | 01 |
| R620 | VC328800 | Metal Film Resistor | 10.0K 1/4 F | | | 01 |
| R621 | VC329500 | Metal Film Resistor | 20.0K 1/4 F | | | 01 |
| R622 | VC329500 | Metal Film Resistor | 20.0K 1/4 F | | | 01 |
| R623 | VC329400 | Metal Film Resistor | 18.0K 1/4 F | | | 01 |
| R624 | VC329400 | Metal Film Resistor | 18.0K 1/4 F | | | 01 |
| R625 | HF754750 | Carbon Resistor | 75.0 1/4 J | | | 01 |
| R626 | HF754750 | Carbon Resistor | 75.0 1/4 J | | | 01 |
| R627 | RD258100 | Carbon Resistor (chip) | 100.0K 0.1 J | | | 01 |
| R628 | RD258100 | Carbon Resistor (chip) | 100.0K 0.1 J | | | 01 |
| R629 | RD257100 | Carbon Resistor (chip) | 10.0K 0.1 J | | | 01 |
| R630 | RD257100 | Carbon Resistor (chip) | 10.0K 0.1 J | | | 01 |
| * R701 | VC327600 | Metal Film Resistor | 3.3K 1/4 F | | | 01 |
| * R702 | VC327600 | Metal Film Resistor | 3.3K 1/4 F | | | 01 |
| * R703 | VC329200 | Metal Film Resistor | 15.0K 1/4 F | | | 01 |
| * R704 | VC329200 | Metal Film Resistor | 15.0K 1/4 F | | | 01 |
| R705 | HF754390 | Carbon Resistor | 39.0 1/4 J | | | 01 |
| R706 | VC326500 | Metal Film Resistor | 1.0K 1/4 F | | | 01 |
| R707 | VC326500 | Metal Film Resistor | 1.0K 1/4 F | | | 01 |
| R708 | VC327200 | Metal Film Resistor | 2.2K 1/4 F | | | 01 |
| R709 | VC328000 | Metal Film Resistor | 4.7K 1/4 F | | | 01 |
| * R710 | VC328500 | Metal Film Resistor | 7.5K 1/4 F | | | 01 |
| * R711 | VC330500 | Metal Film Resistor | 51.0K 1/4 F | | | 01 |
| R712 | VC329600 | Metal Film Resistor | 22.0K 1/4 F | | | 01 |
| * R713 | VC327100 | Metal Film Resistor | 2.0K 1/4 F | | | 01 |
| * R714 | VC327100 | Metal Film Resistor | 2.0K 1/4 F | | | 01 |
| R715 | HF754390 | Carbon Resistor | 39.0 1/4 J | | | 01 |
| R716 | RD258100 | Carbon Resistor (chip) | 100.0K 0.1 J | | | 01 |
| R717 | VC328800 | Metal Film Resistor | 10.0K 1/4 F | | | 01 |
| R718 | VC328800 | Metal Film Resistor | 10.0K 1/4 F | | | 01 |
| R719 | VC328900 | Metal Film Resistor | 11.0K 1/4 F | | | 01 |
| R720 | VC328800 | Metal Film Resistor | 10.0K 1/4 F | | | 01 |
| R721 | VC329500 | Metal Film Resistor | 20.0K 1/4 F | | | 01 |
| R722 | VC329500 | Metal Film Resistor | 20.0K 1/4 F | | | 01 |
| R723 | VC329400 | Metal Film Resistor | 18.0K 1/4 F | | | 01 |
| R724 | VC329400 | Metal Film Resistor | 18.0K 1/4 F | | | 01 |
| R725 | HF754750 | Carbon Resistor | 75.0 1/4 J | | | 01 |
| R726 | HF754750 | Carbon Resistor | 75.0 1/4 J | | | 01 |
| R727 | RD258100 | Carbon Resistor (chip) | 100.0K 0.1 J | | | 01 |
| R728 | RD258100 | Carbon Resistor (chip) | 100.0K 0.1 J | | | 01 |
| R729 | RD257100 | Carbon Resistor (chip) | 10.0K 0.1 J | | | 01 |
| R730 | RD257100 | Carbon Resistor (chip) | 10.0K 0.1 J | | | 01 |
| * R801 | VC327600 | Metal Film Resistor | 3.3K 1/4 F | | | 01 |
| * R802 | VC327600 | Metal Film Resistor | 3.3K 1/4 F | | | 01 |
| * R803 | VC329200 | Metal Film Resistor | 15.0K 1/4 F | | | 01 |
| * R804 | VC329200 | Metal Film Resistor | 15.0K 1/4 F | | | 01 |
| R805 | HF754390 | Carbon Resistor | 39.0 1/4 J | | | 01 |
| R806 | VC326500 | Metal Film Resistor | 1.0K 1/4 F | | | 01 |
| R807 | VC326500 | Metal Film Resistor | 1.0K 1/4 F | | | 01 |
| R808 | VC327200 | Metal Film Resistor | 2.2K 1/4 F | | | 01 |
| R809 | VC328000 | Metal Film Resistor | 4.7K 1/4 F | | | 01 |
| * R810 | VC328500 | Metal Film Resistor | 7.5K 1/4 F | | | 01 |
| * R811 | VC330500 | Metal Film Resistor | 51.0K 1/4 F | | | 01 |
| R812 | VC329600 | Metal Film Resistor | 22.0K 1/4 F | | | 01 |
| * R813 | VC327100 | Metal Film Resistor | 2.0K 1/4 F | | | 01 |
| * R814 | VC327100 | Metal Film Resistor | 2.0K 1/4 F | | | 01 |
| R815 | HF754390 | Carbon Resistor | 39.0 1/4 J | | | 01 |
| R816 | RD258100 | Carbon Resistor (chip) | 100.0K 0.1 J | | | 01 |
| R817 | VC328800 | Metal Film Resistor | 10.0K 1/4 F | | | 01 |
| R818 | VC328800 | Metal Film Resistor | 10.0K 1/4 F | | | 01 |
| R819 | VC328900 | Metal Film Resistor | 11.0K 1/4 F | | | 01 |

*: New Parts

RANK: Japan only

| REF.NO. | PART NO. | DESCRIPTION | | REMARKS | QTY | RANK |
|---------|----------|--------------------------|--------------------|------------------------|-----|------|
| R820 | VC328800 | Metal Film Resistor | 10.0K 1/4 F | | | 01 |
| R821 | VC329500 | Metal Film Resistor | 20.0K 1/4 F | | | 01 |
| R822 | VC329500 | Metal Film Resistor | 20.0K 1/4 F | | | 01 |
| R823 | VC329400 | Metal Film Resistor | 18.0K 1/4 F | | | 01 |
| R824 | VC329400 | Metal Film Resistor | 18.0K 1/4 F | | | 01 |
| R825 | HF754750 | Carbon Resistor | 75.0 1/4 J | | | 01 |
| R826 | HF754750 | Carbon Resistor | 75.0 1/4 J | | | 01 |
| R827 | RD258100 | Carbon Resistor (chip) | 100.0K 0.1 J | | | 01 |
| R828 | RD258100 | Carbon Resistor (chip) | 100.0K 0.1 J | | | 01 |
| R829 | RD257100 | Carbon Resistor (chip) | 10.0K 0.1 J | | | 01 |
| R830 | RD257100 | Carbon Resistor (chip) | 10.0K 0.1 J | | | 01 |
| * SW101 | V3737500 | Slide Switch | SSSS214-11 | 1CH (+4/+15/+18/+24dB) | | 02 |
| * SW201 | V3737500 | Slide Switch | SSSS214-11 | 2CH (+4/+15/+18/+24dB) | | 02 |
| * SW301 | V3737500 | Slide Switch | SSSS214-11 | 3CH (+4/+15/+18/+24dB) | | 02 |
| * SW401 | V3737500 | Slide Switch | SSSS214-11 | 4CH (+4/+15/+18/+24dB) | | 02 |
| * SW501 | V3737500 | Slide Switch | SSSS214-11 | 5CH (+4/+15/+18/+24dB) | | 02 |
| * SW601 | V3737500 | Slide Switch | SSSS214-11 | 6CH (+4/+15/+18/+24dB) | | 02 |
| * SW701 | V3737500 | Slide Switch | SSSS214-11 | 7CH (+4/+15/+18/+24dB) | | 02 |
| * SW801 | V3737500 | Slide Switch | SSSS214-11 | 8CH (+4/+15/+18/+24dB) | | 02 |
| TR101 | VK432900 | Transistor | 2SD1915(F) S,T | | | 01 |
| TR102 | VK432900 | Transistor | 2SD1915(F) S,T | | | 01 |
| TR201 | VK432900 | Transistor | 2SD1915(F) S,T | | | 01 |
| TR202 | VK432900 | Transistor | 2SD1915(F) S,T | | | 01 |
| TR301 | VK432900 | Transistor | 2SD1915(F) S,T | | | 01 |
| TR302 | VK432900 | Transistor | 2SD1915(F) S,T | | | 01 |
| TR401 | VK432900 | Transistor | 2SD1915(F) S,T | | | 01 |
| TR402 | VK432900 | Transistor | 2SD1915(F) S,T | | | 01 |
| TR501 | VK432900 | Transistor | 2SD1915(F) S,T | | | 01 |
| TR502 | VK432900 | Transistor | 2SD1915(F) S,T | | | 01 |
| TR601 | VK432900 | Transistor | 2SD1915(F) S,T | | | 01 |
| TR602 | VK432900 | Transistor | 2SD1915(F) S,T | | | 01 |
| TR701 | VK432900 | Transistor | 2SD1915(F) S,T | | | 01 |
| TR702 | VK432900 | Transistor | 2SD1915(F) S,T | | | 01 |
| TR801 | VK432900 | Transistor | 2SD1915(F) S,T | | | 01 |
| TR802 | VK432900 | Transistor | 2SD1915(F) S,T | | | 01 |
| W001 | -- | Ribbon Cable | P=2.0 #26 13P 70L | (V542940) | | |
| W003 | -- | Ribbon Cable | P=2.0 #26 16P 150L | (V543000) | | |
| W103 | -- | Ribbon Cable | P=2.0 #26 9P 70L | (V542930) | | |
| W301 | -- | Ribbon Cable | P=2.0 #26 9P 70L | (V542930) | | |
| W501 | -- | Ribbon Cable | P=2.0 #26 9P 70L | (V542930) | | |
| W601 | -- | Ribbon Cable | P=2.0 #26 9P 70L | (V542930) | | |
| * | V5462900 | Circuit Board | MAIN | (XY036B0) | | |
| * | V5462700 | Circuit Board | MYSL | (XY036B0) | | |
| C901 | UB051330 | Monolithic Ceramic Cap. | SL 33P 50V J | | | 01 |
| C902 | UB245100 | Monolithic Ceramic Cap. | F 0.100 25V Z | | | 01 |
| -912 | UB245100 | Monolithic Ceramic Cap. | F 0.100 25V Z | | | 01 |
| C913 | UF018100 | Electrolytic Cap. (chip) | 100 6.3V | | | 01 |
| C914 | UB245100 | Monolithic Ceramic Cap. | F 0.100 25V Z | | | 01 |
| -918 | UB245100 | Monolithic Ceramic Cap. | F 0.100 25V Z | | | 01 |
| C919 | UB012470 | Monolithic Ceramic Cap. | B 470P 50V K | | | 01 |
| C920 | UB245100 | Monolithic Ceramic Cap. | F 0.100 25V Z | | | 01 |
| C921 | UB245100 | Monolithic Ceramic Cap. | F 0.100 25V Z | | | 01 |
| C922 | UB051150 | Monolithic Ceramic Cap. | SL 15P 50V J | | | 01 |
| C923 | UB051150 | Monolithic Ceramic Cap. | SL 15P 50V J | | | 01 |
| C924 | UB245100 | Monolithic Ceramic Cap. | F 0.100 25V Z | | | 01 |
| -926 | UB245100 | Monolithic Ceramic Cap. | F 0.100 25V Z | | | 01 |
| C929 | UB245100 | Monolithic Ceramic Cap. | F 0.100 25V Z | | | 01 |
| C930 | UF017470 | Electrolytic Cap. (chip) | 47 6.3V | | | 01 |
| C931 | UB245100 | Monolithic Ceramic Cap. | F 0.100 25V Z | | | 01 |
| C932 | UF017470 | Electrolytic Cap. (chip) | 47 6.3V | | | 01 |
| C933 | UB245100 | Monolithic Ceramic Cap. | F 0.100 25V Z | | | 01 |
| -935 | UB245100 | Monolithic Ceramic Cap. | F 0.100 25V Z | | | 01 |
| C937 | UB052100 | Monolithic Ceramic Cap. | SL 100P 50V J | | | 01 |
| C938 | UB245100 | Monolithic Ceramic Cap. | F 0.100 25V Z | | | 01 |
| C939 | UB245100 | Monolithic Ceramic Cap. | F 0.100 25V Z | | | 01 |
| C940 | UF018100 | Electrolytic Cap. (chip) | 100 6.3V | | | 01 |
| C941 | UB245100 | Monolithic Ceramic Cap. | F 0.100 25V Z | | | 01 |
| C942 | UB245100 | Monolithic Ceramic Cap. | F 0.100 25V Z | | | 01 |
| C944 | UB245100 | Monolithic Ceramic Cap. | F 0.100 25V Z | | | 01 |

*: New Parts

RANK: Japan only

| REF. NO. | PART NO. | DESCRIPTION | | REMARKS | QTY | RANK |
|----------|----------|-------------------------|--------------------|----------------------|-----|------|
| -946 | UB245100 | Monolithic Ceramic Cap. | F 0.100 25V Z | | | 01 |
| C947 | VR327300 | Mylar Capacitor (chip) | 0.0820 16V J | | | 01 |
| C950 | VR327300 | Mylar Capacitor (chip) | 0.0820 16V J | | | 01 |
| CN51 | VU328200 | Plug | PHEC 100P TE | SLOT | | 05 |
| CN52 | VI879100 | Cable Holder | 51048 13P TE | | | 01 |
| CN53 | VQ048500 | Connector, FFC | 52045 36P TE | | | 02 |
| CN54 | VQ048500 | Connector, FFC | 52045 36P TE | | | 02 |
| CN901 | VQ048500 | Connector, FFC | 52045 36P TE | | | 02 |
| CN902 | VQ048500 | Connector, FFC | 52045 36P TE | | | 02 |
| CN903 | VU196300 | Connector Socket | 17LE-23090-27 D4CH | COM (RS422) | | 04 |
| CN904 | VJ861600 | Wire Trap | 52147 16P TE | | | 01 |
| CN905 | VI878300 | Cable Holder | 51048 5P TE | | | 01 |
| CN906 | VF728300 | Wire Trap | 52147 6P TE | | | 01 |
| D901 | VT332900 | Diode | 1SS355 TE-17 | | | 01 |
| -904 | VT332900 | Diode | 1SS355 TE-17 | | | 01 |
| EM901 | VQ761400 | EMI Filter (chip) | NFM40R01C101T1 | | | 01 |
| -905 | VQ761400 | EMI Filter (chip) | NFM40R01C101T1 | | | 01 |
| EM906 | FZ006970 | LC Filter | LS MT Y223NB | | | 02 |
| EM907 | FZ006970 | LC Filter | LS MT Y223NB | | | 02 |
| EM908 | VQ761400 | EMI Filter (chip) | NFM40R01C101T1 | | | 01 |
| IC901 | IS024500 | IC | HD74LV245AFPEL | TRANSCEIVER | | 02 |
| IC902 | XN976A00 | IC | SN75124NS | LINE RECEIVER | | 05 |
| IC903 | IS024500 | IC | HD74LV245AFPEL | TRANSCEIVER | | 02 |
| -905 | IS024500 | IC | HD74LV245AFPEL | TRANSCEIVER | | 02 |
| IC906 | XU073A00 | IC | SN75C1168NSR | LINE DRIVER/RECEIVER | | 05 |
| IC907 | IS024500 | IC | HD74LV245AFPEL | TRANSCEIVER | | 02 |
| IC908 | IS024500 | IC | HD74LV245AFPEL | TRANSCEIVER | | 02 |
| IC909 | XY721A00 | IC | HD6477042AF28 | MASK CPU | | 01 |
| * IC910 | XY309A00 | IC | TC74HC153AFEL | DATA SELECTOR | | 02 |
| IC911 | IS000400 | IC | HD74LV04AFPEL | INVERTER | | 01 |
| IC912 | IS000800 | IC | HD74LV08AFPEL | AND | | 01 |
| IC913 | IS013810 | IC | SN74LV138ANSR | DECODER | | 01 |
| IC914 | IS007400 | IC | HD74LV74AFPEL | D-FF | | 01 |
| IC915 | XY102A00 | IC | HD74LVU04AFPEL | INVERTER | | 01 |
| IC916 | XP226A00 | IC | IC-PST591DMT | SYSTEM RESET | | 03 |
| IC917 | XG948E00 | IC | YM3436DK | DIR2 | | 11 |
| IC918 | XG948E00 | IC | YM3436DK | DIR2 | | 11 |
| IC919 | XU948A00 | IC | MBM29F800BA-70PFTN | FLASH ROM 8M | | 14 |
| IC920 | IS013910 | IC | SN74LV139ANSR | DECODER | | 01 |
| IC922 | IS027300 | IC | HD74LV273AFPEL | D-FF | | 02 |
| IC923 | XU816A00 | IC | SN75121NSR | LINE DRIVER | | 05 |
| IC924 | IS024500 | IC | HD74LV245AFPEL | TRANSCEIVER | | 02 |
| IC926 | XV411A00 | IC | W24258S-70LE-EL10 | SRAM 256K | | 07 |
| IC927 | XV411A00 | IC | W24258S-70LE-EL10 | SRAM 256K | | 07 |
| IC928 | IS003200 | IC | HD74LV32AFPEL | OR | | 01 |
| JK901 | VI552200 | BNC Connector | YKS11-0 1P | WORD CLOCK IN | | 05 |
| JK902 | VI552200 | BNC Connector | YKS11-0 1P | WORD CLOCK OUT | | 05 |
| K901 | VI474400 | Terminal Plate | | | | 01 |
| L901 | VS740100 | Chip Inductance | BLM21B751S 2125 | | | 03 |
| -910 | VS740100 | Chip Inductance | BLM21B751S 2125 | | | 03 |
| L911 | GE300610 | Ferrite Bead | BL02RN1-R62T4 | | | 01 |
| L912 | VS740100 | Chip Inductance | BLM21B751S 2125 | | | 03 |
| -914 | VS740100 | Chip Inductance | BLM21B751S 2125 | | | 03 |
| L920 | VS740100 | Chip Inductance | BLM21B751S 2125 | | | 03 |
| -924 | VS740100 | Chip Inductance | BLM21B751S 2125 | | | 03 |
| L925 | GE300610 | Ferrite Bead | BL02RN1-R62T4 | | | 01 |
| L926 | GE300610 | Ferrite Bead | BL02RN1-R62T4 | | | 01 |
| L927 | VS740100 | Chip Inductance | BLM21B751S 2125 | | | 03 |
| -935 | VS740100 | Chip Inductance | BLM21B751S 2125 | | | 03 |
| R901 | RD254750 | Carbon Resistor (chip) | 75.0 0.1 J | | | 01 |
| R902 | RD254470 | Carbon Resistor (chip) | 47.0 0.1 J | | | 01 |
| R903 | RD257100 | Carbon Resistor (chip) | 10.0K 0.1 J | | | 01 |
| R904 | RD254100 | Carbon Resistor (chip) | 10.0 0.1 J | | | 01 |
| R905 | RD255470 | Carbon Resistor (chip) | 470.0 0.1 J | | | 01 |
| R906 | RD255470 | Carbon Resistor (chip) | 470.0 0.1 J | | | 01 |
| R907 | RD257100 | Carbon Resistor (chip) | 10.0K 0.1 J | | | 01 |
| R908 | RD257100 | Carbon Resistor (chip) | 10.0K 0.1 J | | | 01 |
| R909 | RD256300 | Carbon Resistor (chip) | 3.0K 0.1 J | | | 01 |
| R910 | RD255200 | Carbon Resistor (chip) | 200.0 0.1 J | | | 01 |
| R911 | RD255470 | Carbon Resistor (chip) | 470.0 0.1 J | | | 01 |

*: New Parts

RANK: Japan only

| REF.NO. | PART NO. | DESCRIPTION | | REMARKS | QTY | RANK |
|------------|----------|----------------------------|--------------------|--------------------------|-----|------|
| R912 | RD259100 | Carbon Resistor (chip) | 1.0M 0.1 J | | | 01 |
| R913 | RD256200 | Carbon Resistor (chip) | 2.0K 0.1 J | | | 01 |
| R914 | RD256200 | Carbon Resistor (chip) | 2.0K 0.1 J | | | 01 |
| R917 | RD256220 | Carbon Resistor (chip) | 2.2K 0.1 J | | | 01 |
| R918 | RD253470 | Carbon Resistor (chip) | 4.7 0.1 J | | | 01 |
| R919 | RD257100 | Carbon Resistor (chip) | 10.0K 0.1 J | | | 01 |
| R921 | RD256150 | Carbon Resistor (chip) | 1.5K 0.1 J | | | 01 |
| R922 | RD250000 | Carbon Resistor (chip) | 0.0 0.0 J | | | 01 |
| R924 | VI195100 | Metal Film Resistor (chip) | 1.2K 1/10 | | | 01 |
| R927 | RD250000 | Carbon Resistor (chip) | 0.0 0.0 J | | | 01 |
| R929 | VI195100 | Metal Film Resistor (chip) | 1.2K 1/10 | | | 01 |
| RA901 | RE047100 | Resistor Array | 10KX4 | | | 01 |
| -926 | RE047100 | Resistor Array | 10KX4 | | | 01 |
| SW901 | VR365100 | Slide Switch | SSSF112-S06N1 | W. CLOCK IN 75ohm ON/OFF | | 02 |
| W052 | -- | Ribbon Cable | P=2.0 #26 13P 100L | (V542950) | | |
| W905 | -- | Ribbon Cable | P=2.0 #26 5P 100L | (V542920) | | |
| * X901 | VL907400 | Quartz Crystal Unit | 19.6608MHz AT-51 | | | 04 |
| * V4854600 | | Circuit Board | PN | (XY034A0) | | |
| VA078900 | | Jumper Wire | 0.55 | | 33 | |
| C101 | UM407100 | Electrolytic Cap.-KS | 10.00 25.0V | | | 01 |
| C102 | UM407100 | Electrolytic Cap.-KS | 10.00 25.0V | | | 01 |
| C103 | VT439600 | Monolithic Ceramic Cap. | 0.100 50V Z | | | 01 |
| -107 | VT439600 | Monolithic Ceramic Cap. | 0.100 50V Z | | | 01 |
| C201 | UM407100 | Electrolytic Cap.-KS | 10.00 25.0V | | | 01 |
| C202 | UM407100 | Electrolytic Cap.-KS | 10.00 25.0V | | | 01 |
| C203 | VT439600 | Monolithic Ceramic Cap. | 0.100 50V Z | | | 01 |
| -205 | VT439600 | Monolithic Ceramic Cap. | 0.100 50V Z | | | 01 |
| C301 | UM407100 | Electrolytic Cap.-KS | 10.00 25.0V | | | 01 |
| C302 | UM407100 | Electrolytic Cap.-KS | 10.00 25.0V | | | 01 |
| C303 | VT439600 | Monolithic Ceramic Cap. | 0.100 50V Z | | | 01 |
| -307 | VT439600 | Monolithic Ceramic Cap. | 0.100 50V Z | | | 01 |
| C401 | UM407100 | Electrolytic Cap.-KS | 10.00 25.0V | | | 01 |
| C402 | UM407100 | Electrolytic Cap.-KS | 10.00 25.0V | | | 01 |
| C403 | VT439600 | Monolithic Ceramic Cap. | 0.100 50V Z | | | 01 |
| -405 | VT439600 | Monolithic Ceramic Cap. | 0.100 50V Z | | | 01 |
| C501 | UM407100 | Electrolytic Cap.-KS | 10.00 25.0V | | | 01 |
| C502 | UM407100 | Electrolytic Cap.-KS | 10.00 25.0V | | | 01 |
| C503 | VT439600 | Monolithic Ceramic Cap. | 0.100 50V Z | | | 01 |
| -507 | VT439600 | Monolithic Ceramic Cap. | 0.100 50V Z | | | 01 |
| C601 | UM407100 | Electrolytic Cap.-KS | 10.00 25.0V | | | 01 |
| C602 | UM407100 | Electrolytic Cap.-KS | 10.00 25.0V | | | 01 |
| C603 | VT439600 | Monolithic Ceramic Cap. | 0.100 50V Z | | | 01 |
| -605 | VT439600 | Monolithic Ceramic Cap. | 0.100 50V Z | | | 01 |
| C701 | UM407100 | Electrolytic Cap.-KS | 10.00 25.0V | | | 01 |
| C702 | UM407100 | Electrolytic Cap.-KS | 10.00 25.0V | | | 01 |
| C703 | VT439600 | Monolithic Ceramic Cap. | 0.100 50V Z | | | 01 |
| -707 | VT439600 | Monolithic Ceramic Cap. | 0.100 50V Z | | | 01 |
| C801 | UM407100 | Electrolytic Cap.-KS | 10.00 25.0V | | | 01 |
| C802 | UM407100 | Electrolytic Cap.-KS | 10.00 25.0V | | | 01 |
| C803 | VT439600 | Monolithic Ceramic Cap. | 0.100 50V Z | | | 01 |
| -805 | VT439600 | Monolithic Ceramic Cap. | 0.100 50V Z | | | 01 |
| C960 | VT439600 | Monolithic Ceramic Cap. | 0.100 50V Z | | | 01 |
| C962 | UM407220 | Electrolytic Cap.-KS | 22.00 25.0V | | | 01 |
| -964 | UM407220 | Electrolytic Cap.-KS | 22.00 25.0V | | | 01 |
| C965 | VT439600 | Monolithic Ceramic Cap. | 0.100 50V Z | | | 01 |
| -967 | VT439600 | Monolithic Ceramic Cap. | 0.100 50V Z | | | 01 |
| CN960 | VI878400 | Cable Holder | 51048 6P TE | | | 01 |
| CN962 | VI879400 | Cable Holder | 51048 16P TE | | | 01 |
| CN963 | VI878800 | Cable Holder | 51048 10P TE | | | 01 |
| D101 | VB941200 | Diode | 1SS133,1SS176 | | | 01 |
| D102 | VB941200 | Diode | 1SS133,1SS176 | | | 01 |
| D201 | VB941200 | Diode | 1SS133,1SS176 | | | 01 |
| D202 | VB941200 | Diode | 1SS133,1SS176 | | | 01 |
| D301 | VB941200 | Diode | 1SS133,1SS176 | | | 01 |
| D302 | VB941200 | Diode | 1SS133,1SS176 | | | 01 |
| D401 | VB941200 | Diode | 1SS133,1SS176 | | | 01 |
| D402 | VB941200 | Diode | 1SS133,1SS176 | | | 01 |
| D501 | VB941200 | Diode | 1SS133,1SS176 | | | 01 |
| D502 | VB941200 | Diode | 1SS133,1SS176 | | | 01 |

*: New Parts

RANK: Japan only

| REF.NO. | PART NO. | DESCRIPTION | | REMARKS | QTY | RANK |
|---------|----------|---------------------|-------------------|-----------------|-----|------|
| D601 | VB941200 | Diode | 1SS133,1SS176 | | | 01 |
| D602 | VB941200 | Diode | 1SS133,1SS176 | | | 01 |
| D701 | VB941200 | Diode | 1SS133,1SS176 | | | 01 |
| D702 | VB941200 | Diode | 1SS133,1SS176 | | | 01 |
| D801 | VB941200 | Diode | 1SS133,1SS176 | | | 01 |
| D802 | VB941200 | Diode | 1SS133,1SS176 | | | 01 |
| EM960 | FZ006970 | LC Filter | LS MT Y223NB | | | 02 |
| -962 | FZ006970 | LC Filter | LS MT Y223NB | | | 02 |
| IC101 | XA987A00 | IC | NJM2068D-D | OP AMP | | 01 |
| IC301 | XA987A00 | IC | NJM2068D-D | OP AMP | | 01 |
| IC501 | XA987A00 | IC | NJM2068D-D | OP AMP | | 01 |
| IC701 | XA987A00 | IC | NJM2068D-D | OP AMP | | 01 |
| LD101 | VT838500 | LED | SLZ-135B-08-T1 RE | PRAK 1 | | 01 |
| LD102 | V4845500 | LED | SLZ-435B-08-T1 YE | NOMINAL 1 | | 01 |
| LD103 | VU091400 | LED | SLZ-235B-08-T1 GR | SIGNAL 1 | | 01 |
| LD201 | VT838500 | LED | SLZ-135B-08-T1 RE | PRAK 2 | | 01 |
| LD202 | V4845500 | LED | SLZ-435B-08-T1 YE | NOMINAL 2 | | 01 |
| LD203 | VU091400 | LED | SLZ-235B-08-T1 GR | SIGNAL 2 | | 01 |
| LD301 | VT838500 | LED | SLZ-135B-08-T1 RE | PRAK 3 | | 01 |
| LD302 | V4845500 | LED | SLZ-435B-08-T1 YE | NOMINAL 3 | | 01 |
| LD303 | VU091400 | LED | SLZ-235B-08-T1 GR | SIGNAL 3 | | 01 |
| LD401 | VT838500 | LED | SLZ-135B-08-T1 RE | PRAK 4 | | 01 |
| LD402 | V4845500 | LED | SLZ-435B-08-T1 YE | NOMINAL 4 | | 01 |
| LD403 | VU091400 | LED | SLZ-235B-08-T1 GR | SIGNAL 4 | | 01 |
| LD501 | VT838500 | LED | SLZ-135B-08-T1 RE | PRAK 5 | | 01 |
| LD502 | V4845500 | LED | SLZ-435B-08-T1 YE | NOMINAL 5 | | 01 |
| LD503 | VU091400 | LED | SLZ-235B-08-T1 GR | SIGNAL 5 | | 01 |
| LD601 | VT838500 | LED | SLZ-135B-08-T1 RE | PRAK 6 | | 01 |
| LD602 | V4845500 | LED | SLZ-435B-08-T1 YE | NOMINAL 6 | | 01 |
| LD603 | VU091400 | LED | SLZ-235B-08-T1 GR | SIGNAL 6 | | 01 |
| LD701 | VT838500 | LED | SLZ-135B-08-T1 RE | PRAK 7 | | 01 |
| LD702 | V4845500 | LED | SLZ-435B-08-T1 YE | NOMINAL 7 | | 01 |
| LD703 | VU091400 | LED | SLZ-235B-08-T1 GR | SIGNAL 7 | | 01 |
| LD801 | VT838500 | LED | SLZ-135B-08-T1 RE | PRAK 8 | | 01 |
| LD802 | V4845500 | LED | SLZ-435B-08-T1 YE | NOMINAL 8 | | 01 |
| LD803 | VU091400 | LED | SLZ-235B-08-T1 GR | SIGNAL 8 | | 01 |
| LD960 | VU091400 | LED | SLZ-235B-08-T1 GR | POWER indicator | | 01 |
| LD961 | VU091400 | LED | SLZ-235B-08-T1 GR | LOCK | | 01 |
| * R101 | VC330800 | Metal Film Resistor | 68.0K 1/4 F | | | 01 |
| R102 | VB070300 | Metal Film Resistor | 200.0K 1/5 F | | | 01 |
| R103 | VC331200 | Metal Film Resistor | 100K 1/4 F | | | 01 |
| R104 | VC328700 | Metal Film Resistor | 9.1K 1/4 F | | | 01 |
| R105 | VC331200 | Metal Film Resistor | 100K 1/4 F | | | 01 |
| * R106 | VC330300 | Metal Film Resistor | 43.0K 1/4 F | | | 01 |
| R107 | HF757100 | Carbon Resistor | 10.0K 1/4 J | | | 01 |
| R108 | HF757470 | Carbon Resistor | 47.0K 1/4 J | | | 01 |
| -110 | HF757470 | Carbon Resistor | 47.0K 1/4 J | | | 01 |
| R111 | HF756220 | Carbon Resistor | 2.2K 1/4 J | | | 01 |
| -113 | HF756220 | Carbon Resistor | 2.2K 1/4 J | | | 01 |
| R114 | HF757470 | Carbon Resistor | 47.0K 1/4 J | | | 01 |
| -116 | HF757470 | Carbon Resistor | 47.0K 1/4 J | | | 01 |
| R117 | HF755390 | Carbon Resistor | 390.0 1/4 J | | | 01 |
| -119 | HF755390 | Carbon Resistor | 390.0 1/4 J | | | 01 |
| * R201 | VC330800 | Metal Film Resistor | 68.0K 1/4 F | | | 01 |
| R202 | VB070300 | Metal Film Resistor | 200.0K 1/5 F | | | 01 |
| R203 | VC331200 | Metal Film Resistor | 100K 1/4 F | | | 01 |
| R204 | VC328700 | Metal Film Resistor | 9.1K 1/4 F | | | 01 |
| R205 | VC331200 | Metal Film Resistor | 100K 1/4 F | | | 01 |
| * R206 | VC330300 | Metal Film Resistor | 43.0K 1/4 F | | | 01 |
| R207 | HF757100 | Carbon Resistor | 10.0K 1/4 J | | | 01 |
| R208 | HF757470 | Carbon Resistor | 47.0K 1/4 J | | | 01 |
| -210 | HF757470 | Carbon Resistor | 47.0K 1/4 J | | | 01 |
| R211 | HF756220 | Carbon Resistor | 2.2K 1/4 J | | | 01 |
| -213 | HF756220 | Carbon Resistor | 2.2K 1/4 J | | | 01 |
| R214 | HF757470 | Carbon Resistor | 47.0K 1/4 J | | | 01 |
| -216 | HF757470 | Carbon Resistor | 47.0K 1/4 J | | | 01 |
| R217 | HF755390 | Carbon Resistor | 390.0 1/4 J | | | 01 |
| -219 | HF755390 | Carbon Resistor | 390.0 1/4 J | | | 01 |
| * R301 | VC330800 | Metal Film Resistor | 68.0K 1/4 F | | | 01 |
| R302 | VB070300 | Metal Film Resistor | 200.0K 1/5 F | | | 01 |

*: New Parts

RANK: Japan only

| REF NO. | PART NO. | DESCRIPTION | | REMARKS | QTY | RANK |
|---------|----------|---------------------|--------------|---------|-----|------|
| R303 | VC331200 | Metal Film Resistor | 100K 1/4 F | | | 01 |
| R304 | VC328700 | Metal Film Resistor | 9.1K 1/4 F | | | 01 |
| R305 | VC331200 | Metal Film Resistor | 100K 1/4 F | | | 01 |
| * R306 | VC330300 | Metal Film Resistor | 43.0K 1/4 F | | | 01 |
| R307 | HF757100 | Carbon Resistor | 10.0K 1/4 J | | | 01 |
| R308 | HF757470 | Carbon Resistor | 47.0K 1/4 J | | | 01 |
| -310 | HF757470 | Carbon Resistor | 47.0K 1/4 J | | | 01 |
| R311 | HF756220 | Carbon Resistor | 2.2K 1/4 J | | | 01 |
| -313 | HF756220 | Carbon Resistor | 2.2K 1/4 J | | | 01 |
| R314 | HF757470 | Carbon Resistor | 47.0K 1/4 J | | | 01 |
| -316 | HF757470 | Carbon Resistor | 47.0K 1/4 J | | | 01 |
| R317 | HF755390 | Carbon Resistor | 390.0 1/4 J | | | 01 |
| -319 | HF755390 | Carbon Resistor | 390.0 1/4 J | | | 01 |
| * R401 | VC330800 | Metal Film Resistor | 68.0K 1/4 F | | | 01 |
| R402 | VB070300 | Metal Film Resistor | 200.0K 1/5 F | | | 01 |
| R403 | VC331200 | Metal Film Resistor | 100K 1/4 F | | | 01 |
| R404 | VC328700 | Metal Film Resistor | 9.1K 1/4 F | | | 01 |
| R405 | VC331200 | Metal Film Resistor | 100K 1/4 F | | | 01 |
| * R406 | VC330300 | Metal Film Resistor | 43.0K 1/4 F | | | 01 |
| R407 | HF757100 | Carbon Resistor | 10.0K 1/4 J | | | 01 |
| R408 | HF757470 | Carbon Resistor | 47.0K 1/4 J | | | 01 |
| -410 | HF757470 | Carbon Resistor | 47.0K 1/4 J | | | 01 |
| R411 | HF756220 | Carbon Resistor | 2.2K 1/4 J | | | 01 |
| -413 | HF756220 | Carbon Resistor | 2.2K 1/4 J | | | 01 |
| R414 | HF757470 | Carbon Resistor | 47.0K 1/4 J | | | 01 |
| -416 | HF757470 | Carbon Resistor | 47.0K 1/4 J | | | 01 |
| R417 | HF755390 | Carbon Resistor | 390.0 1/4 J | | | 01 |
| -419 | HF755390 | Carbon Resistor | 390.0 1/4 J | | | 01 |
| * R501 | VC330800 | Metal Film Resistor | 68.0K 1/4 F | | | 01 |
| R502 | VB070300 | Metal Film Resistor | 200.0K 1/5 F | | | 01 |
| R503 | VC331200 | Metal Film Resistor | 100K 1/4 F | | | 01 |
| R504 | VC328700 | Metal Film Resistor | 9.1K 1/4 F | | | 01 |
| R505 | VC331200 | Metal Film Resistor | 100K 1/4 F | | | 01 |
| * R506 | VC330300 | Metal Film Resistor | 43.0K 1/4 F | | | 01 |
| R507 | HF757100 | Carbon Resistor | 10.0K 1/4 J | | | 01 |
| R508 | HF757470 | Carbon Resistor | 47.0K 1/4 J | | | 01 |
| -510 | HF757470 | Carbon Resistor | 47.0K 1/4 J | | | 01 |
| R511 | HF756220 | Carbon Resistor | 2.2K 1/4 J | | | 01 |
| -513 | HF756220 | Carbon Resistor | 2.2K 1/4 J | | | 01 |
| R514 | HF757470 | Carbon Resistor | 47.0K 1/4 J | | | 01 |
| -516 | HF757470 | Carbon Resistor | 47.0K 1/4 J | | | 01 |
| R517 | HF755390 | Carbon Resistor | 390.0 1/4 J | | | 01 |
| -519 | HF755390 | Carbon Resistor | 390.0 1/4 J | | | 01 |
| * R601 | VC330800 | Metal Film Resistor | 68.0K 1/4 F | | | 01 |
| R602 | VB070300 | Metal Film Resistor | 200.0K 1/5 F | | | 01 |
| R603 | VC331200 | Metal Film Resistor | 100K 1/4 F | | | 01 |
| R604 | VC328700 | Metal Film Resistor | 9.1K 1/4 F | | | 01 |
| R605 | VC331200 | Metal Film Resistor | 100K 1/4 F | | | 01 |
| * R606 | VC330300 | Metal Film Resistor | 43.0K 1/4 F | | | 01 |
| R607 | HF757100 | Carbon Resistor | 10.0K 1/4 J | | | 01 |
| R608 | HF757470 | Carbon Resistor | 47.0K 1/4 J | | | 01 |
| -610 | HF757470 | Carbon Resistor | 47.0K 1/4 J | | | 01 |
| R611 | HF756220 | Carbon Resistor | 2.2K 1/4 J | | | 01 |
| -613 | HF756220 | Carbon Resistor | 2.2K 1/4 J | | | 01 |
| R614 | HF757470 | Carbon Resistor | 47.0K 1/4 J | | | 01 |
| -616 | HF757470 | Carbon Resistor | 47.0K 1/4 J | | | 01 |
| R617 | HF755390 | Carbon Resistor | 390.0 1/4 J | | | 01 |
| -619 | HF755390 | Carbon Resistor | 390.0 1/4 J | | | 01 |
| * R701 | VC330800 | Metal Film Resistor | 68.0K 1/4 F | | | 01 |
| R702 | VB070300 | Metal Film Resistor | 200.0K 1/5 F | | | 01 |
| R703 | VC331200 | Metal Film Resistor | 100K 1/4 F | | | 01 |
| R704 | VC328700 | Metal Film Resistor | 9.1K 1/4 F | | | 01 |
| R705 | VC331200 | Metal Film Resistor | 100K 1/4 F | | | 01 |
| * R706 | VC330300 | Metal Film Resistor | 43.0K 1/4 F | | | 01 |
| R707 | HF757100 | Carbon Resistor | 10.0K 1/4 J | | | 01 |
| R708 | HF757470 | Carbon Resistor | 47.0K 1/4 J | | | 01 |
| -710 | HF757470 | Carbon Resistor | 47.0K 1/4 J | | | 01 |
| R711 | HF756220 | Carbon Resistor | 2.2K 1/4 J | | | 01 |
| -713 | HF756220 | Carbon Resistor | 2.2K 1/4 J | | | 01 |
| R714 | HF757470 | Carbon Resistor | 47.0K 1/4 J | | | 01 |

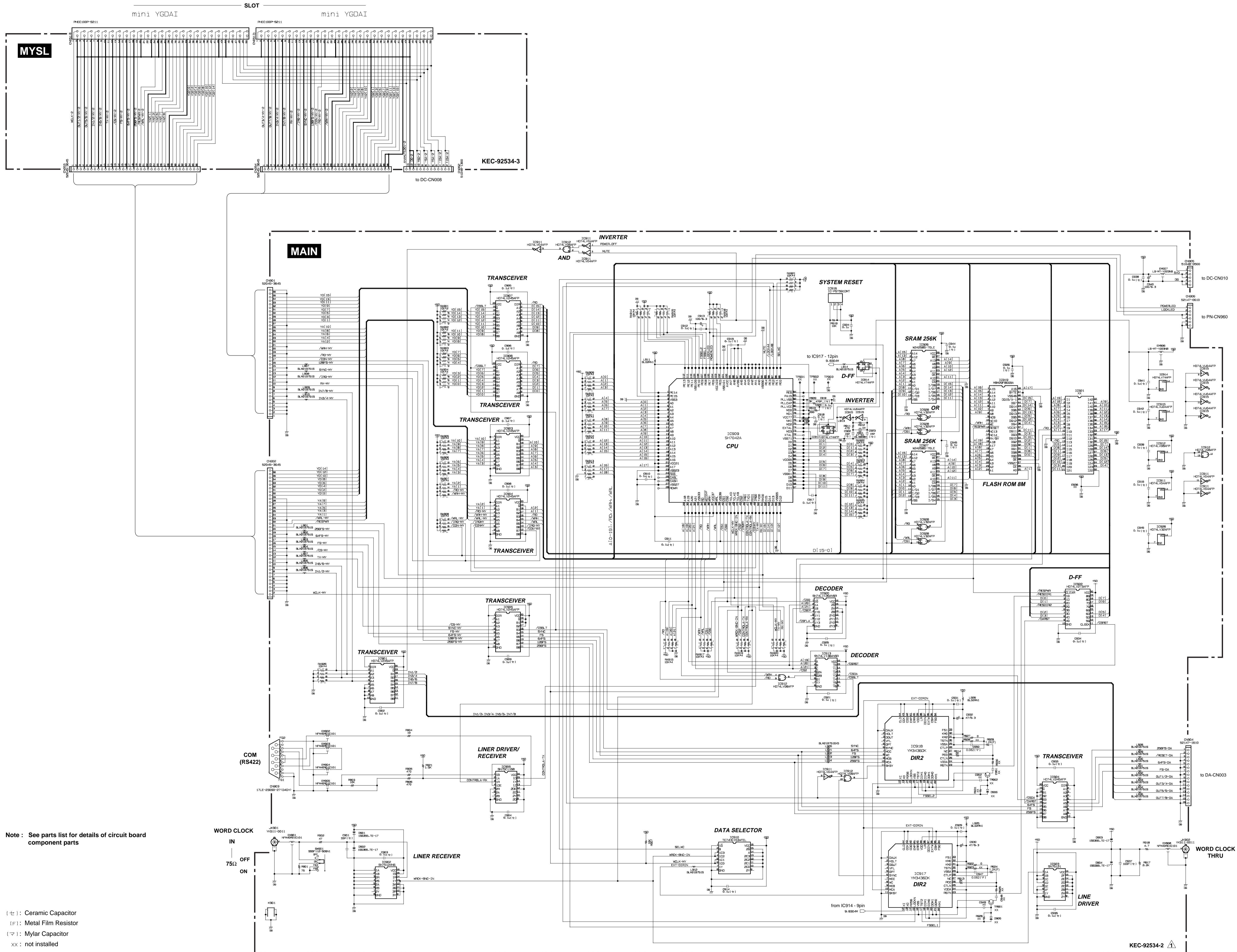
*: New Parts

RANK: Japan only

| REF.NO. | PART NO. | DESCRIPTION | | REMARKS | QTY | RANK |
|---------|----------|---------------------|--------------------|-----------|-----|------|
| -716 | HF757470 | Carbon Resistor | 47.0K 1/4 J | | | 01 |
| R717 | HF755390 | Carbon Resistor | 390.0 1/4 J | | | 01 |
| -719 | HF755390 | Carbon Resistor | 390.0 1/4 J | | | 01 |
| * R801 | VC330800 | Metal Film Resistor | 68.0K 1/4 F | | | 01 |
| R802 | VB070300 | Metal Film Resistor | 200.0K 1/5 F | | | 01 |
| R803 | VC331200 | Metal Film Resistor | 100K 1/4 F | | | 01 |
| R804 | VC328700 | Metal Film Resistor | 9.1K 1/4 F | | | 01 |
| R805 | VC331200 | Metal Film Resistor | 100K 1/4 F | | | 01 |
| * R806 | VC330300 | Metal Film Resistor | 43.0K 1/4 F | | | 01 |
| R807 | HF757100 | Carbon Resistor | 10.0K 1/4 J | | | 01 |
| R808 | HF757470 | Carbon Resistor | 47.0K 1/4 J | | | 01 |
| -810 | HF757470 | Carbon Resistor | 47.0K 1/4 J | | | 01 |
| R811 | HF756220 | Carbon Resistor | 2.2K 1/4 J | | | 01 |
| -813 | HF756220 | Carbon Resistor | 2.2K 1/4 J | | | 01 |
| R814 | HF757470 | Carbon Resistor | 47.0K 1/4 J | | | 01 |
| -816 | HF757470 | Carbon Resistor | 47.0K 1/4 J | | | 01 |
| R817 | HF755390 | Carbon Resistor | 390.0 1/4 J | | | 01 |
| -819 | HF755390 | Carbon Resistor | 390.0 1/4 J | | | 01 |
| R960 | HF755390 | Carbon Resistor | 390.0 1/4 J | | | 01 |
| R961 | HF755390 | Carbon Resistor | 390.0 1/4 J | | | 01 |
| R962 | HF757100 | Carbon Resistor | 10.0K 1/4 J | | | 01 |
| R963 | HF757100 | Carbon Resistor | 10.0K 1/4 J | | | 01 |
| TR101 | IC174020 | Transistor | 2SC1740S R,S | | | 01 |
| -103 | IC174020 | Transistor | 2SC1740S R,S | | | 01 |
| TR104 | VV912400 | Transistor | 2SA933ASTP R.S | | | 01 |
| -106 | VV912400 | Transistor | 2SA933ASTP R.S | | | 01 |
| TR201 | IC174020 | Transistor | 2SC1740S R,S | | | 01 |
| -203 | IC174020 | Transistor | 2SC1740S R,S | | | 01 |
| TR204 | VV912400 | Transistor | 2SA933ASTP R.S | | | 01 |
| -206 | VV912400 | Transistor | 2SA933ASTP R.S | | | 01 |
| TR301 | IC174020 | Transistor | 2SC1740S R,S | | | 01 |
| -303 | IC174020 | Transistor | 2SC1740S R,S | | | 01 |
| TR304 | VV912400 | Transistor | 2SA933ASTP R.S | | | 01 |
| -306 | VV912400 | Transistor | 2SA933ASTP R.S | | | 01 |
| TR401 | IC174020 | Transistor | 2SC1740S R,S | | | 01 |
| -403 | IC174020 | Transistor | 2SC1740S R,S | | | 01 |
| TR404 | VV912400 | Transistor | 2SA933ASTP R.S | | | 01 |
| -406 | VV912400 | Transistor | 2SA933ASTP R.S | | | 01 |
| TR501 | IC174020 | Transistor | 2SC1740S R,S | | | 01 |
| -503 | IC174020 | Transistor | 2SC1740S R,S | | | 01 |
| TR504 | VV912400 | Transistor | 2SA933ASTP R.S | | | 01 |
| -506 | VV912400 | Transistor | 2SA933ASTP R.S | | | 01 |
| TR601 | IC174020 | Transistor | 2SC1740S R,S | | | 01 |
| -603 | IC174020 | Transistor | 2SC1740S R,S | | | 01 |
| TR604 | VV912400 | Transistor | 2SA933ASTP R.S | | | 01 |
| -606 | VV912400 | Transistor | 2SA933ASTP R.S | | | 01 |
| TR701 | IC174020 | Transistor | 2SC1740S R,S | | | 01 |
| -703 | IC174020 | Transistor | 2SC1740S R,S | | | 01 |
| TR704 | VV912400 | Transistor | 2SA933ASTP R.S | | | 01 |
| -706 | VV912400 | Transistor | 2SA933ASTP R.S | | | 01 |
| TR801 | IC174020 | Transistor | 2SC1740S R,S | | | 01 |
| -803 | IC174020 | Transistor | 2SC1740S R,S | | | 01 |
| TR804 | VV912400 | Transistor | 2SA933ASTP R.S | | | 01 |
| -806 | VV912400 | Transistor | 2SA933ASTP R.S | | | 01 |
| TR960 | IC174020 | Transistor | 2SC1740S R,S | | | 01 |
| TR961 | IC174020 | Transistor | 2SC1740S R,S | | | 01 |
| W960 | -- | Jumper Wire | FVP=2.0C26SB6-250 | (VY68980) | | |
| W962 | -- | Jumper Wire | FVP=2.0C26SB16-200 | (V201570) | | |
| W963 | -- | Ribbon Cable | P=2.0 #26 10P 170L | (V542980) | | |
| △* | XY176A00 | Power Transformer | J A | J | | 11 |
| △* | XY177A00 | Power Transformer | UL,CSA A | U,V | | 11 |
| △* | XY178B00 | Power Transformer | CEE A | H,W,B | | 11 |
| △ | VS228900 | AC Cord Assembly | 2P 15A 2.1m | J | | 09 |
| △ | VS229000 | AC Cord Assembly | 3P 10A 2.5m | U,V | | 10 |
| △ | VS229100 | AC Cord Assembly | 3P 6A 2.5m | H,W | | 10 |
| △ | VS229200 | AC Cord Assembly | 3P 10A 2.5m | B | | 11 |
| △ | KB003040 | Fuse | 1.00A S | H,W,B | | 01 |

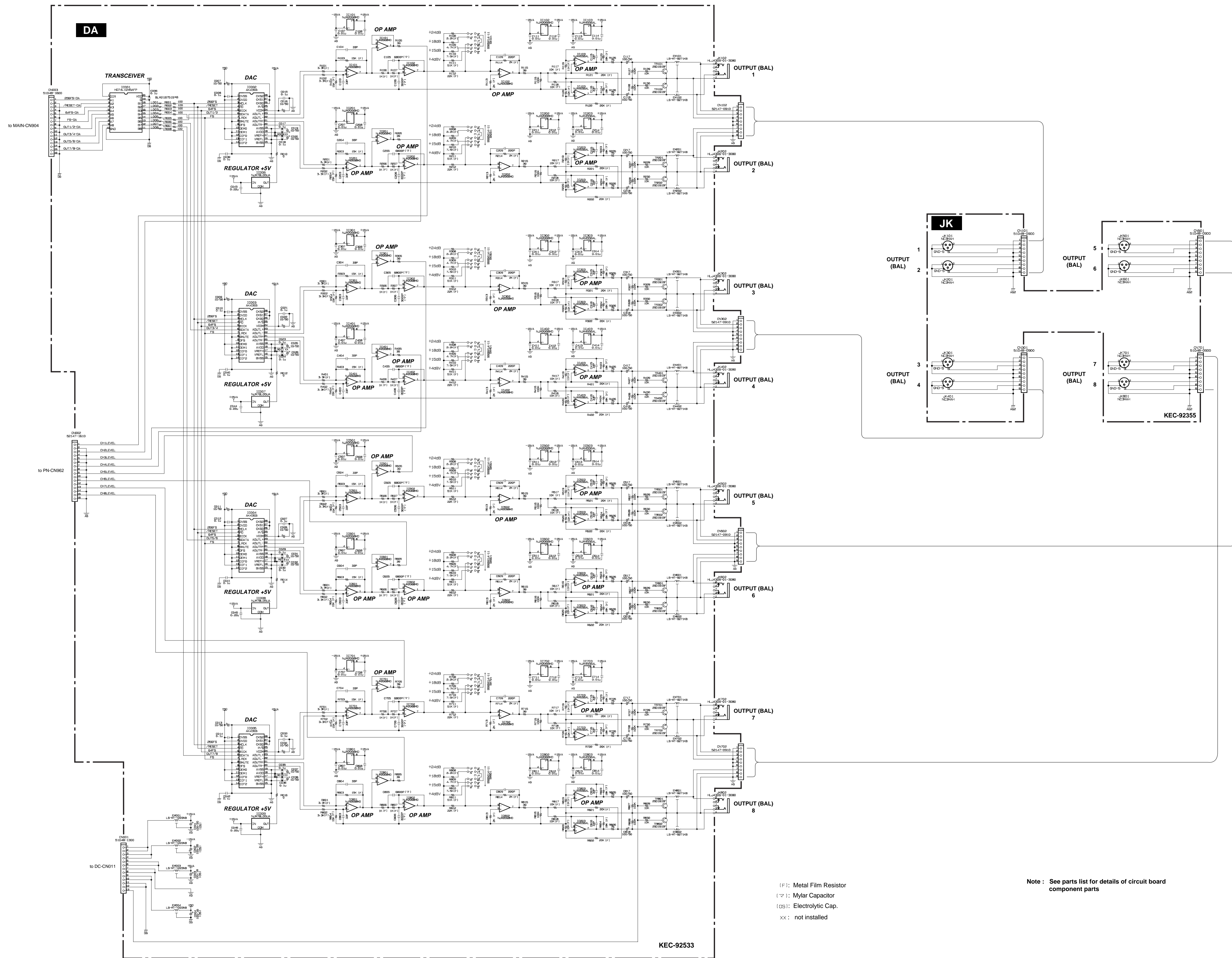
*: New Parts

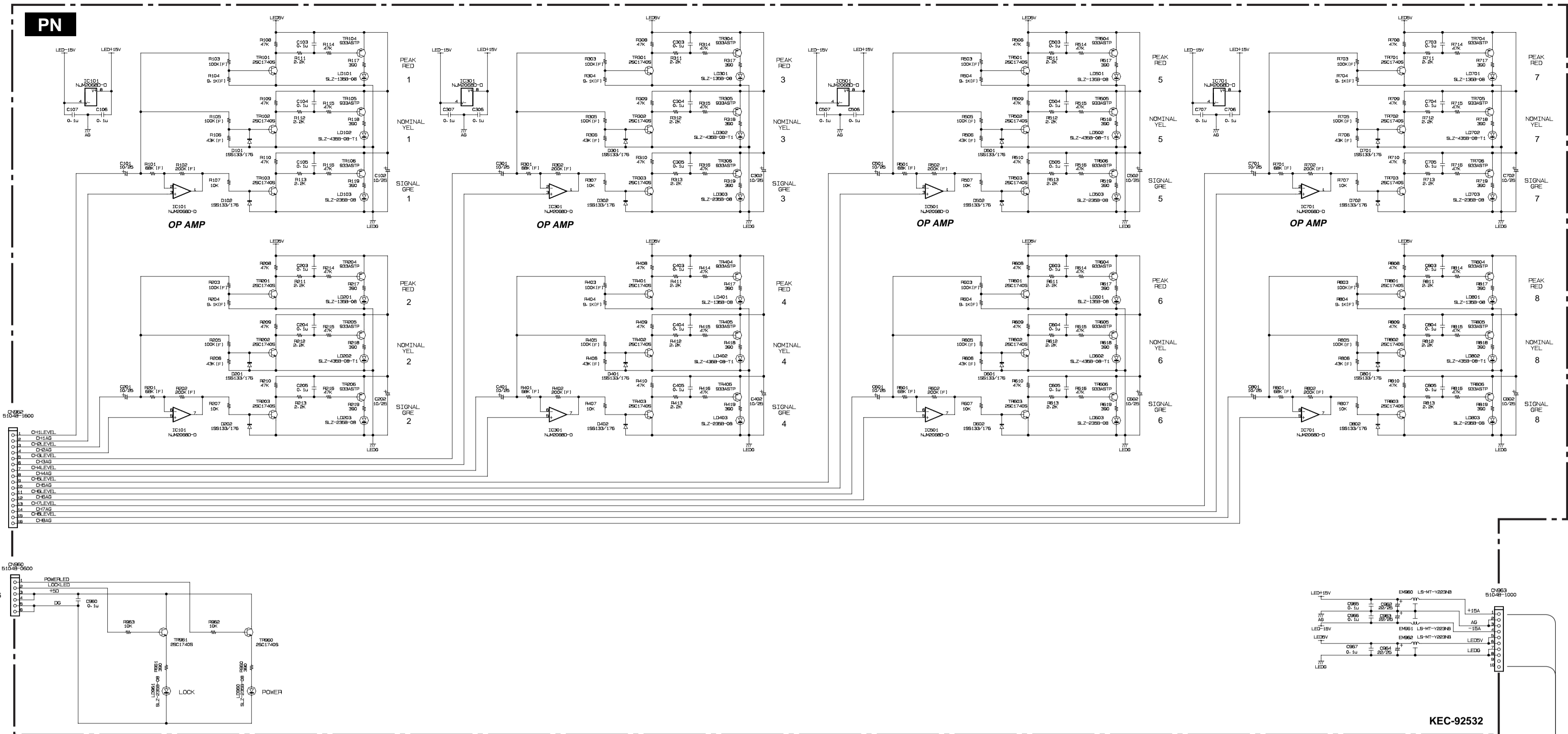
RANK: Japan only



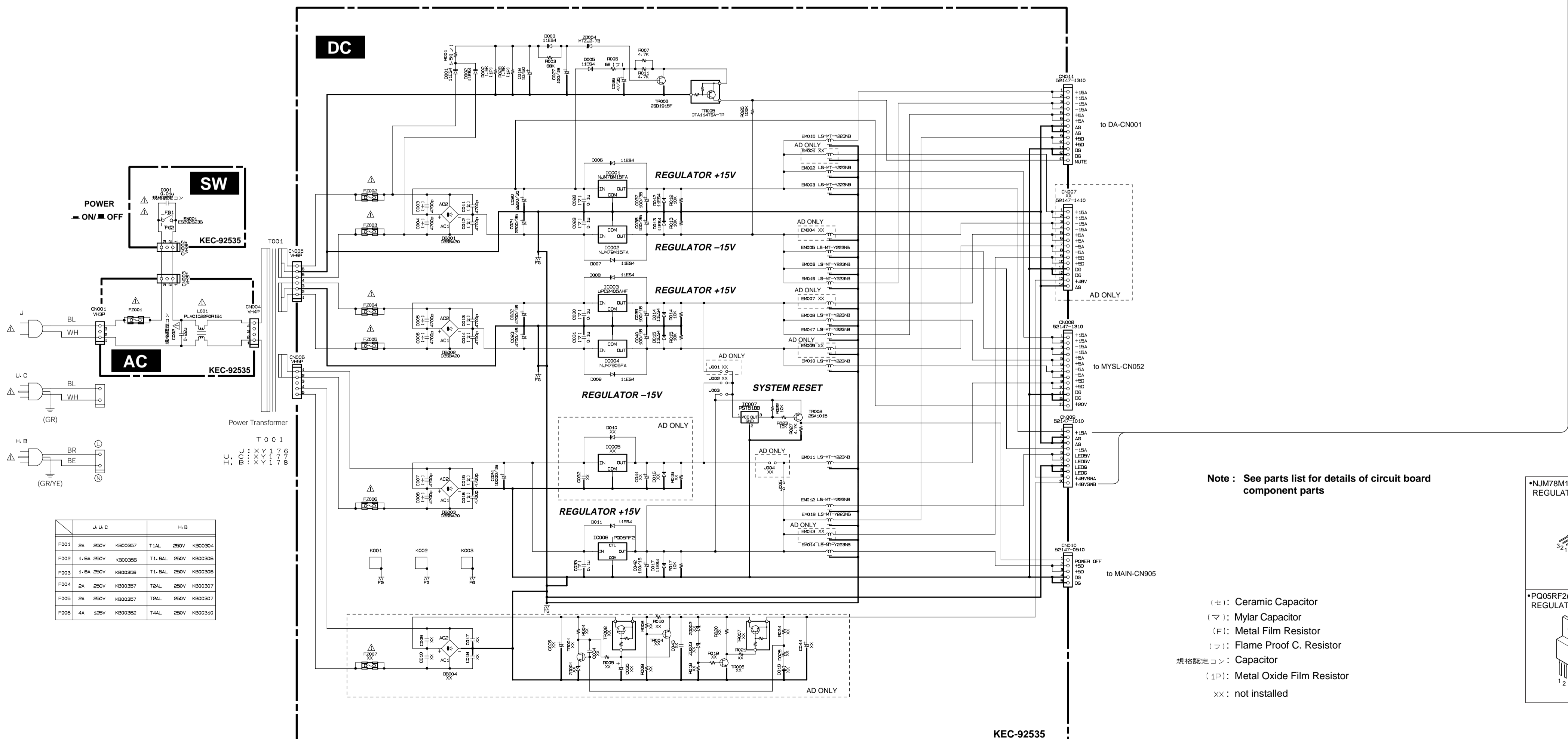
Note : See parts list for details of circuit board component parts

- [C] : Ceramic Capacitor
- [F] : Metal Film Resistor
- [M] : Mylar Capacitor
- XX : not installed





KEC-92532



| | U.C | H.B |
|------|-------------------|---------------------|
| F001 | 2A 250V H800307 | T1AL 250V H800304 |
| F002 | 1.6A 250V H800306 | T1-6AL 250V H800306 |
| F003 | 1.6A 250V H800306 | T1-6AL 250V H800306 |
| F004 | 2A 250V H800307 | T1-6AL 250V H800307 |
| F005 | 2A 250V H800307 | T1AL 250V H800307 |
| F006 | 4A 125V H800302 | T4AL 250V H800310 |

Note : See parts list for details of circuit board component parts

- (C) : Ceramic Capacitor
- (M) : Mylar Capacitor
- (F) : Metal Film Resistor
- (P) : Flame Proof C. Resistor
- 規格認定コン : Capacitor
- (1P) : Metal Oxide Film Resistor
- XX : not installed

| | | | |
|---|---|--|--|
| <p>•NUM78M15FA(XJ603A00) REGULATOR +15V</p> | <p>•NUM78M15FA(XG505A00) REGULATOR -15V</p> | <p>•PC2405AHF (XR607A00) REGULATOR +5V</p> | <p>•NUM7905FA(XK309A00) REGULATOR -5V</p> |
| <p>•PQ05RF2(XH672A00) REGULATOR +5V 2A</p> | <p>•NJM78L05UA(XJ598A00) REGULATOR +5V</p> | <p>•D3SBA20 (XN011300) DIODE STACK 4.0A 200V</p> | <p>•MTZ J 2.7B 2.7V (VQ552200) ZENER DIODE</p> |

TO SERVICE PERSONNEL
Critical Components Information
Components having special characteristics are marked and must be replaced with parts having specifications equal to those originally installed.